

SEEPAGE PIT DETAIL (TYP)
 NOT TO SCALE

STORMWATER RETENTION VOLUME CALCULATION

VOLUME REQUIRED
 = 3,000 - GALLONS

DRY WELL VOLUME
 = 845 - GALLONS

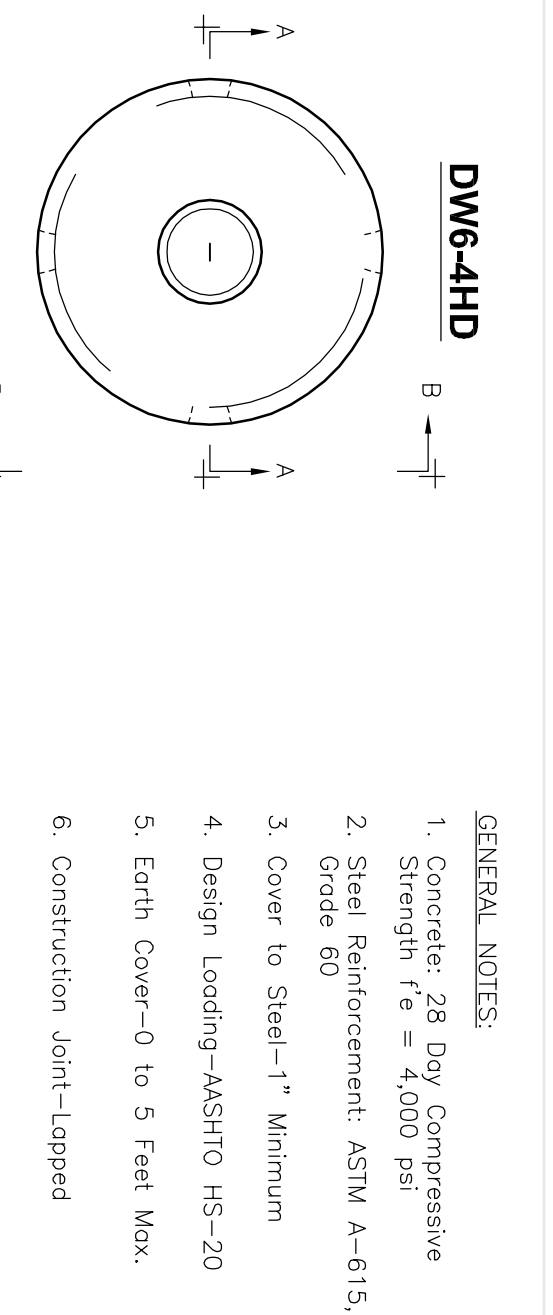
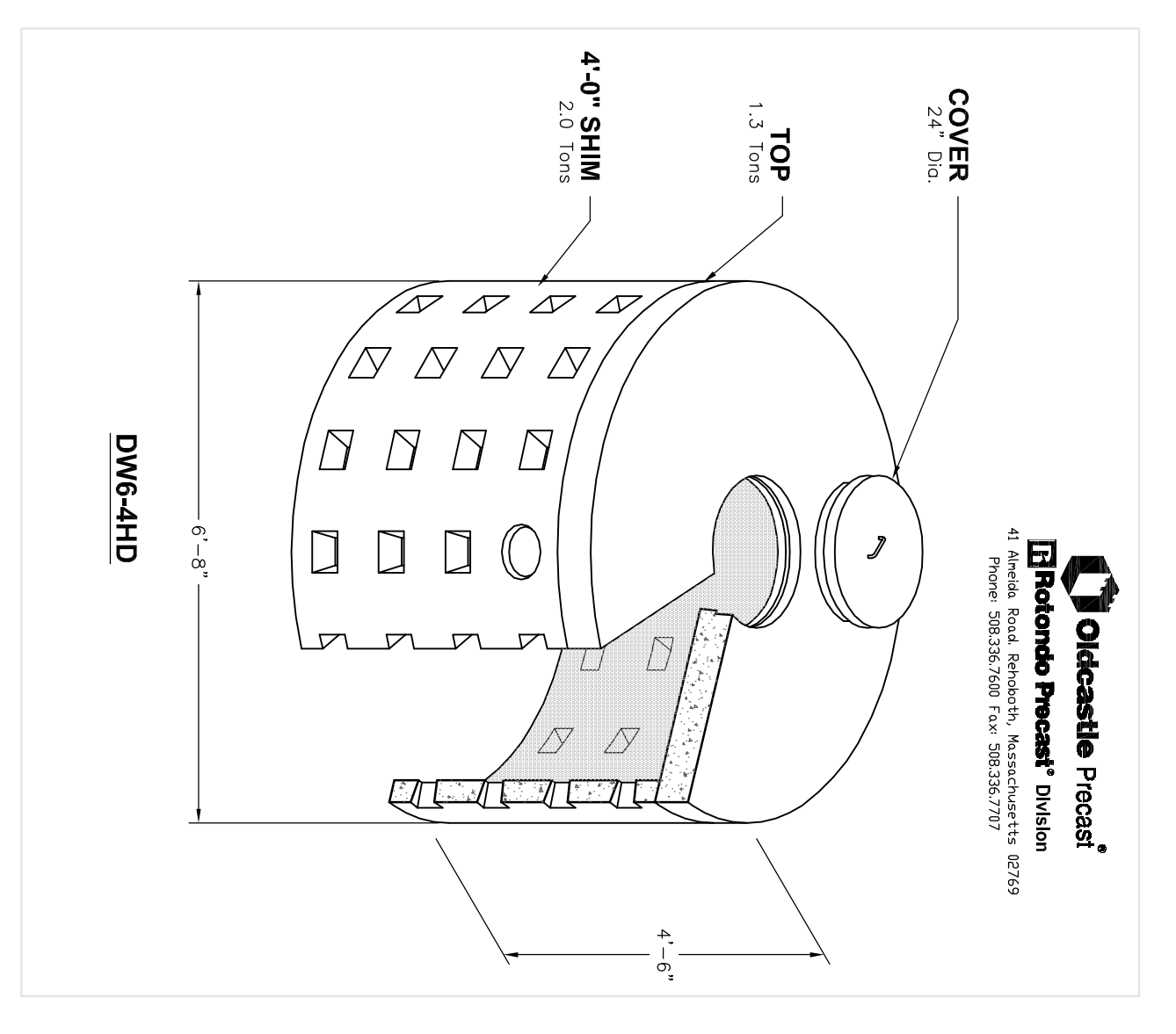
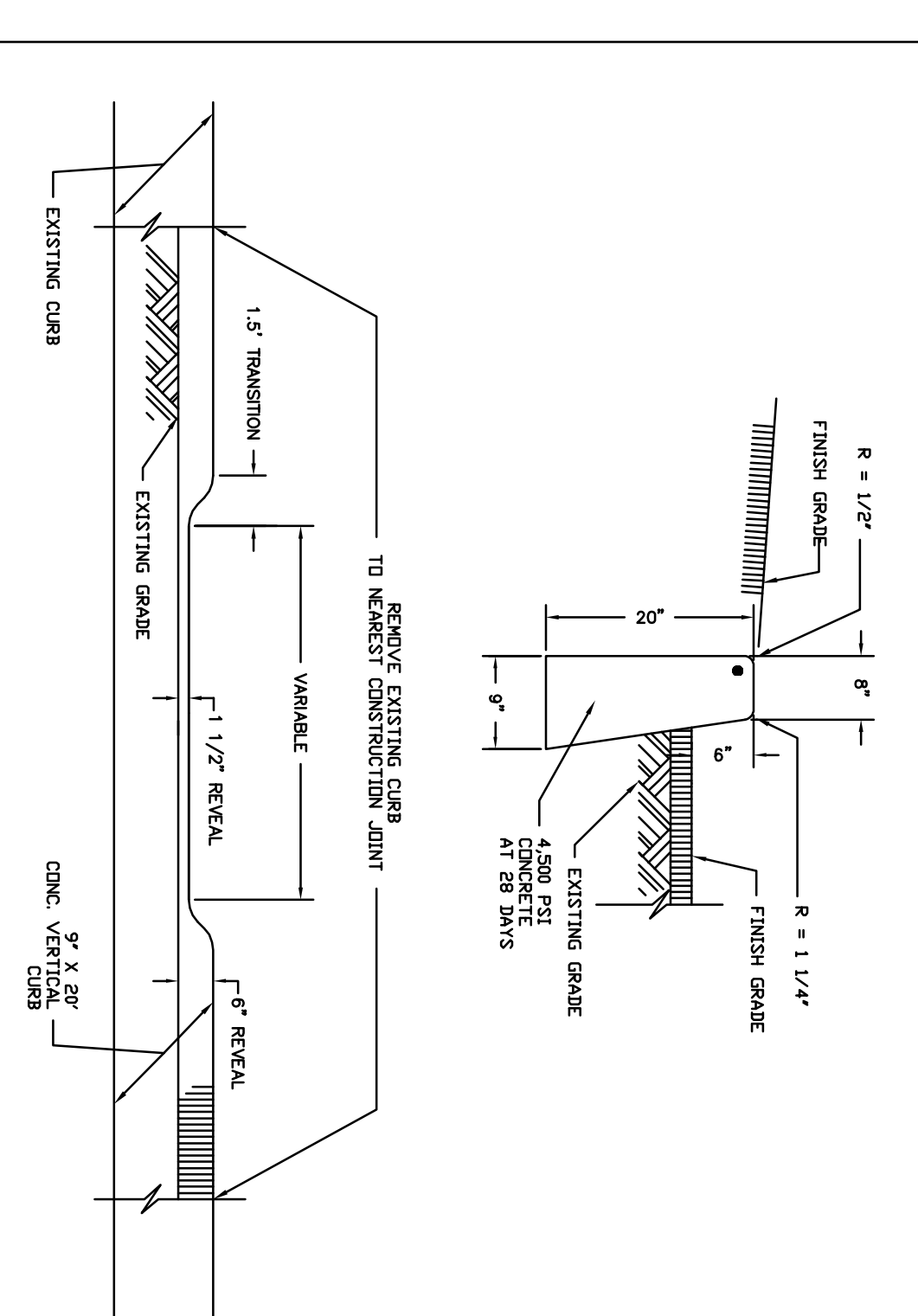
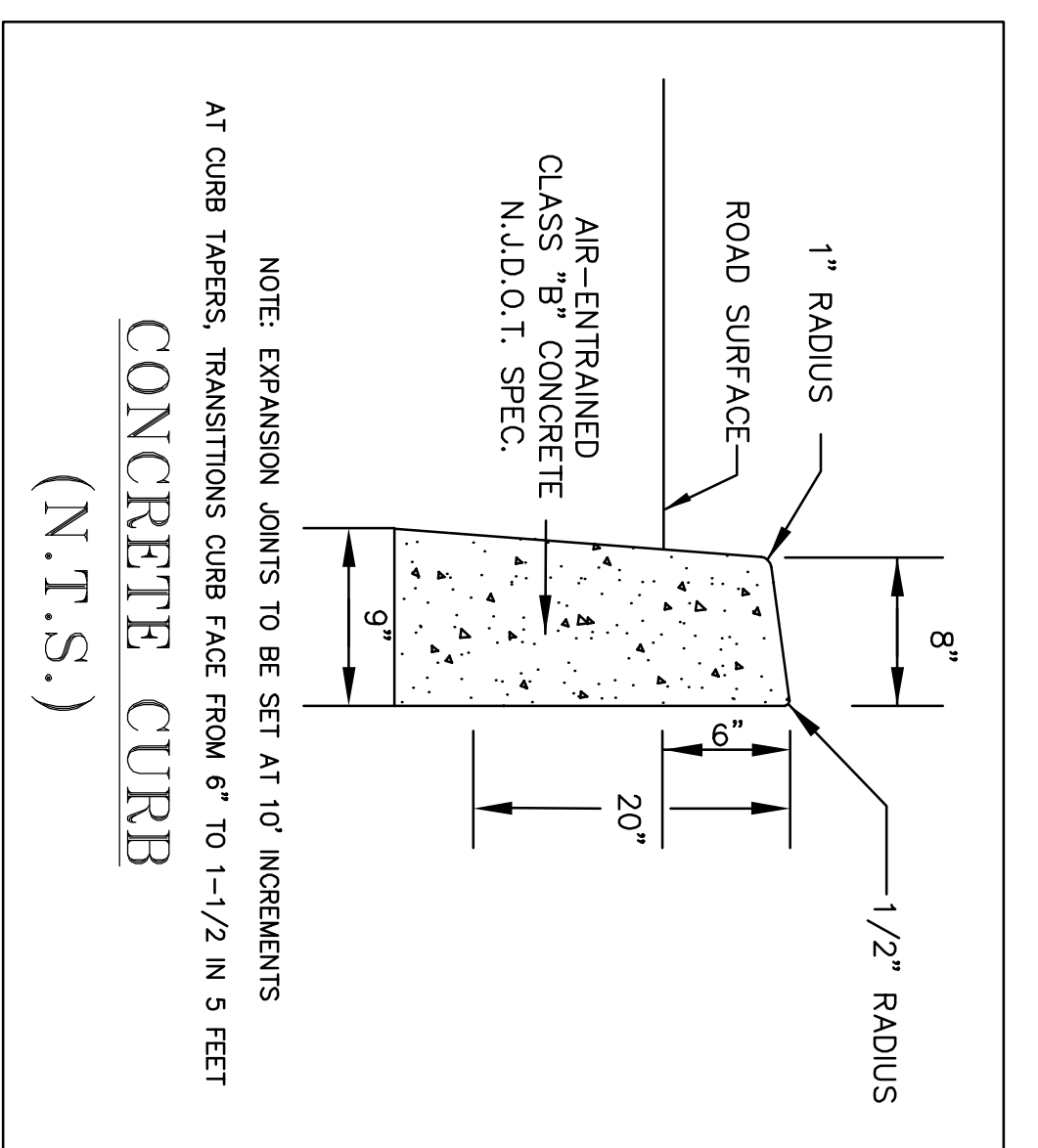
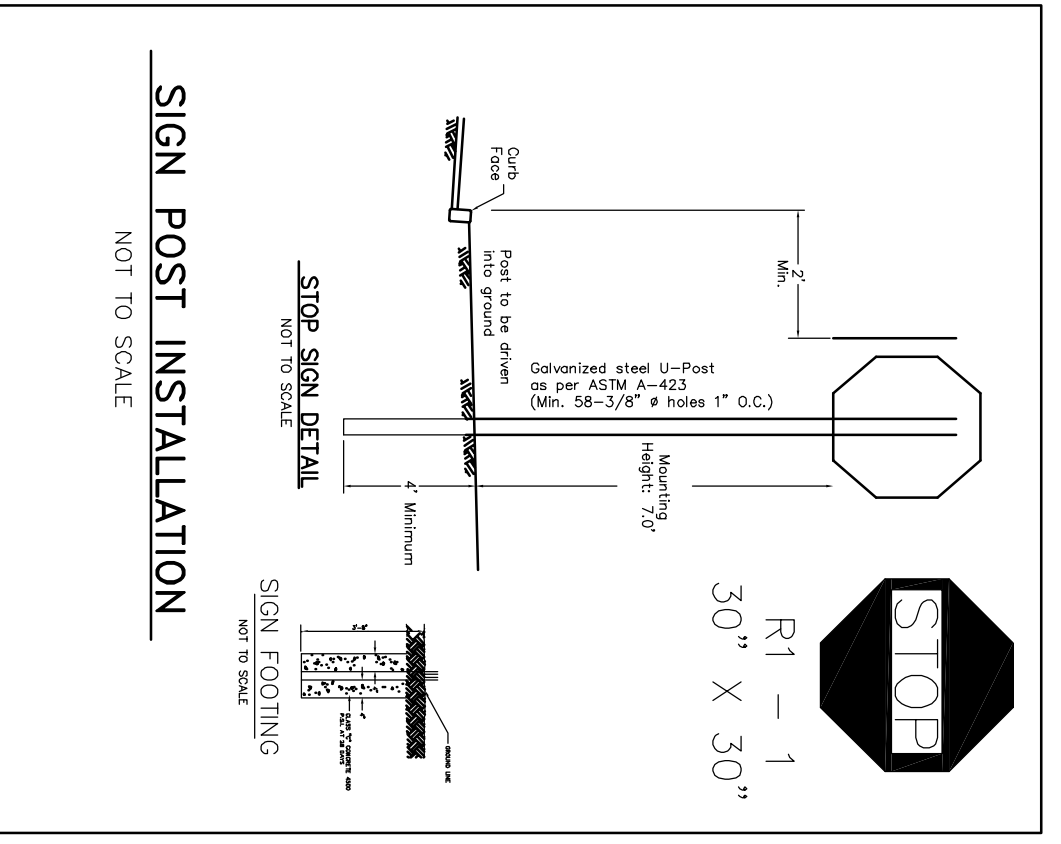
STONE VOLUME (40% VOIDS)
 = 660 - GALLONS

(AROUND & UNDER DRY WELL)

TOTAL PROPOSED (TWO DRY WELLS) = 3,010 - GALLONS

NOTE:

THE OWNER SHOULD BE RESPONSIBLE TO PERIODICALLY MONITOR AND MAINTAIN THE SEEPAGE PIT AND SURROUNDING AREAS IN ORDER TO ENSURE ITS PERFORMANCE.



DW6-4HD

GENERAL NOTES:

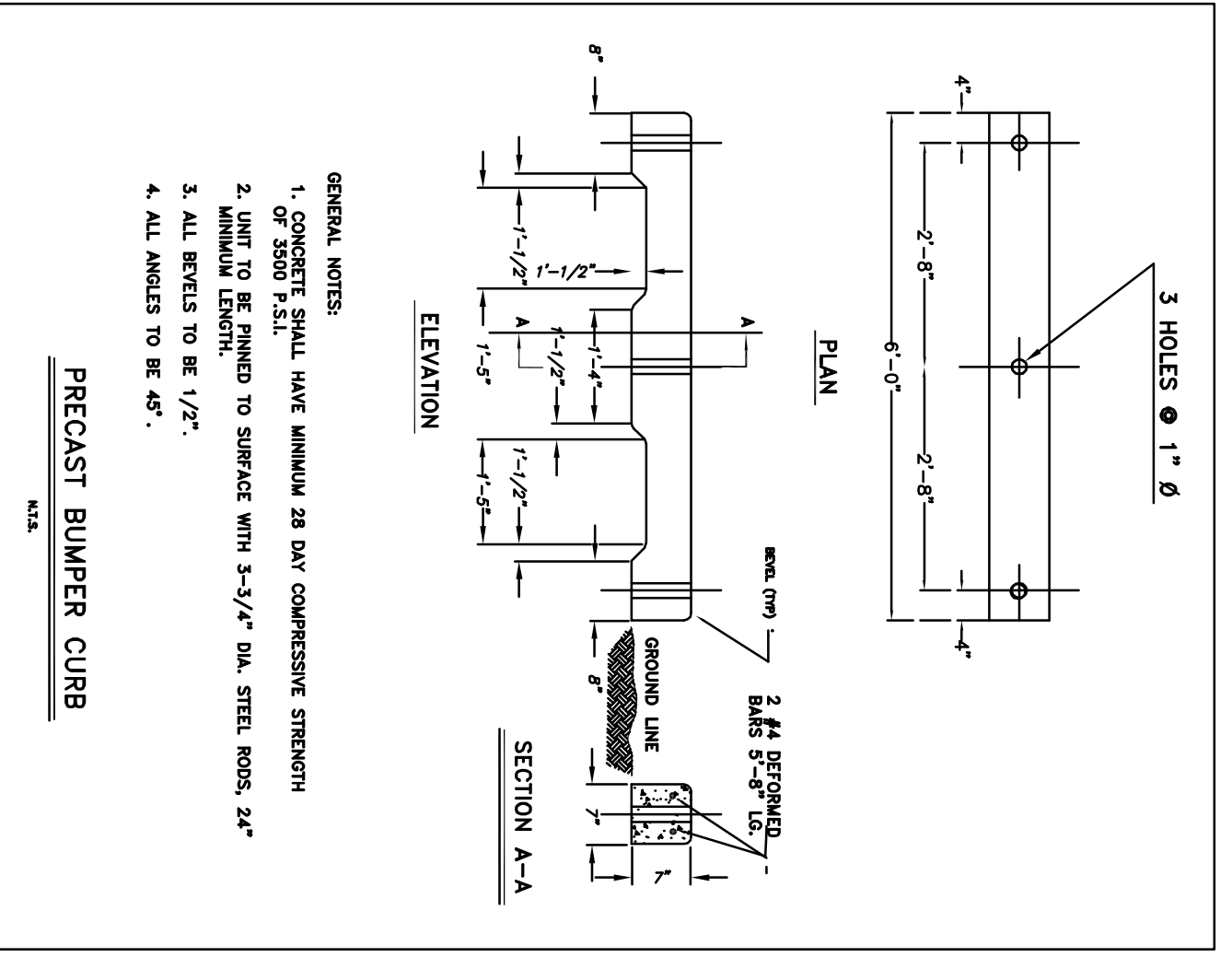
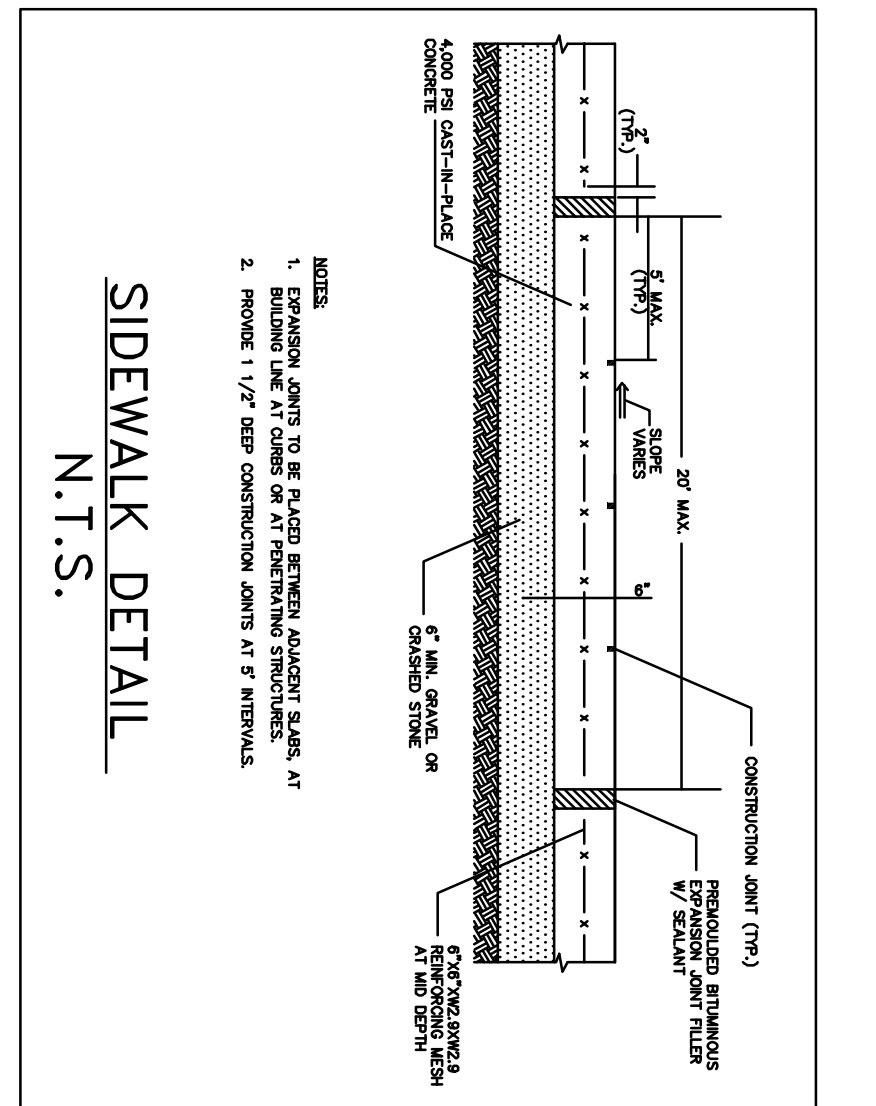
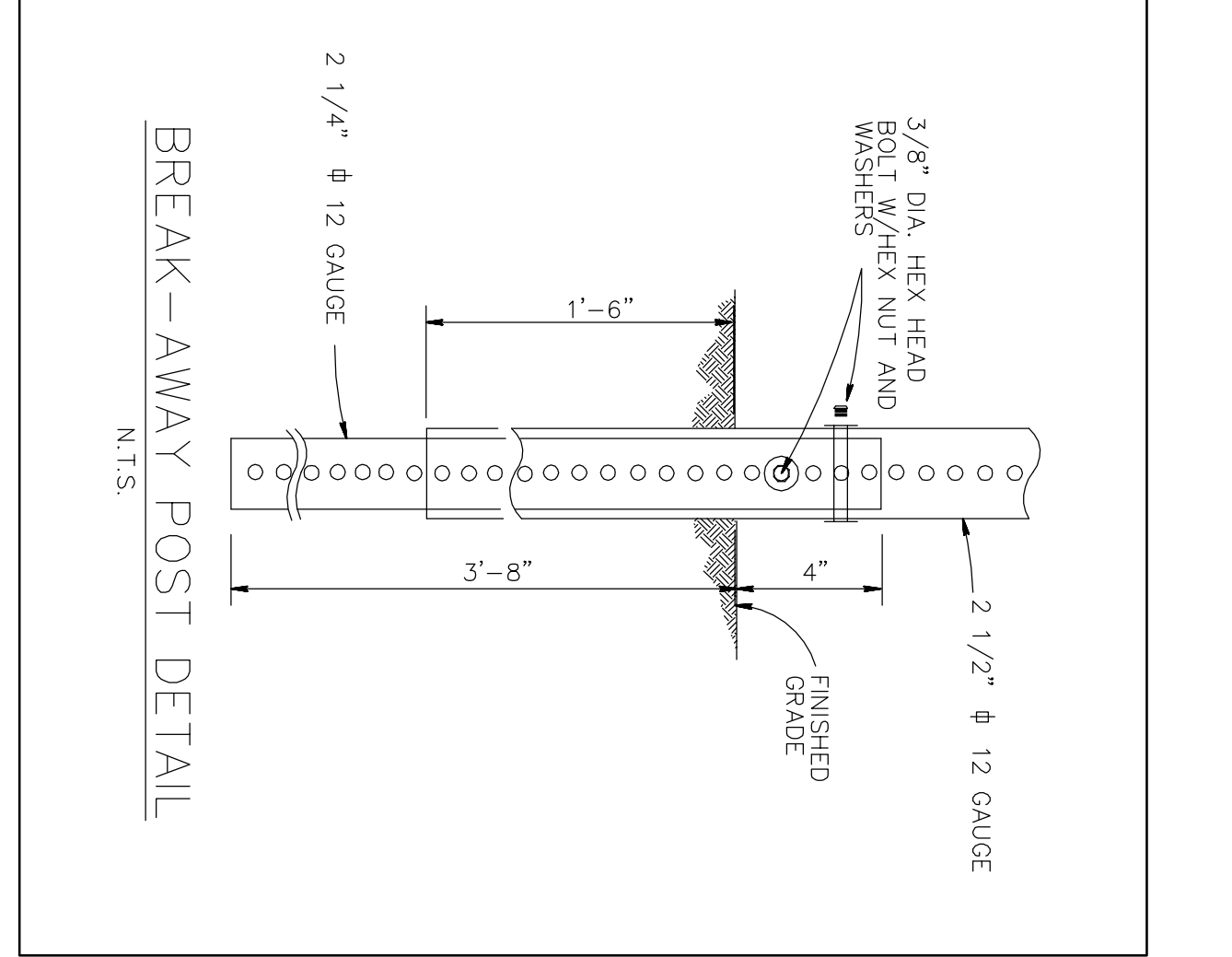
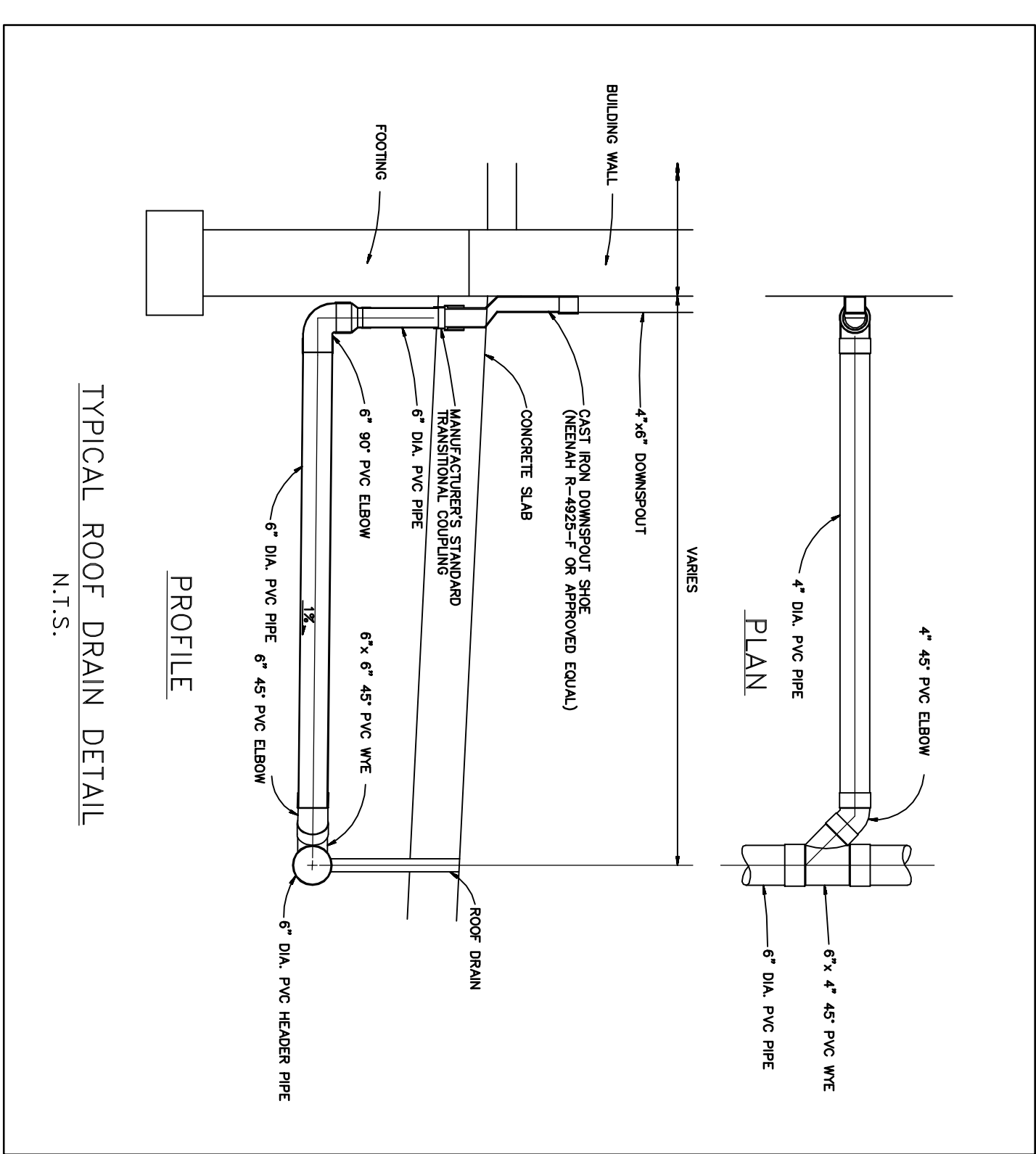
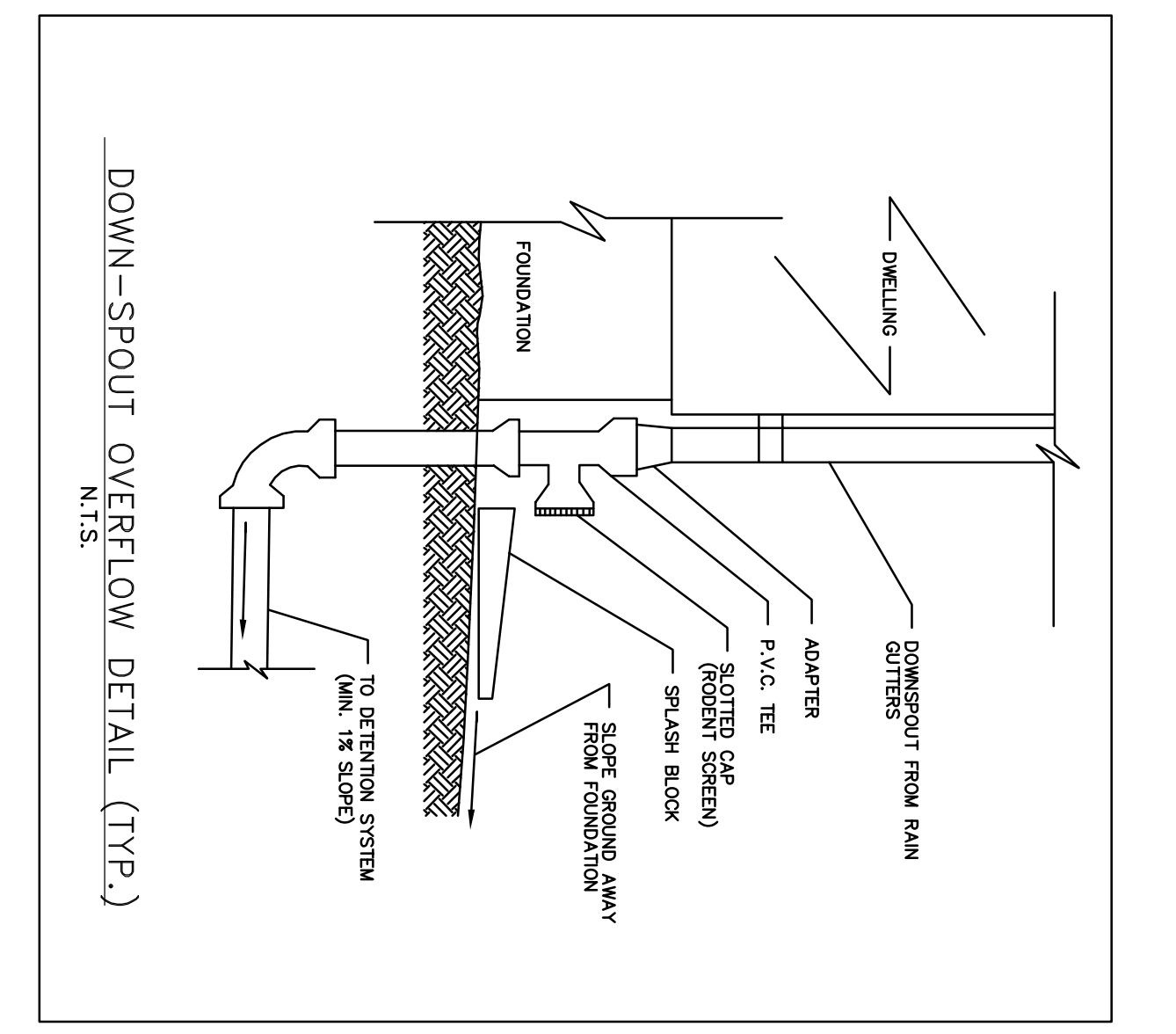
- Concrete 28 Day Compressive Strength $f_c = 4,000$ psi
- Steel Reinforcement: ASTM A-615, Grade 60
- Cover to Steel - 1" Minimum
- Design Loading - ASHTO HS-20
- Earth Cover - 0 to 5 Feet Max.
- Construction Joint - Lapped

PLAN VIEW

SECTION A-A

END VIEW

41 Avenida Road, Kenosha, Wisconsin 53142
 Phone: 508.336.7000 Fax: 508.336.7707



TAX LOT 10 & 11 BLOCK 4402

DAR-UL-ISLAH TOWNSHIP OF TEANECK BERGEN COUNTY, NEW JERSEY

CONSTRUCTION DETAILS

C-04

SHEET 4 OF 6

AWZ ENGINEERING, INC.
 ENGINEERS • SCIENTISTS • CONSULTANTS

Main Office: 150 River Road, Suite J3B, Montville, NJ 07045
 Pennsylvania Office: 114 N. Rebecca Ave., Scranton, PA 18504
 Tel: 973-588-7080 Fax: 973-588-7079

www.awzengineering.com e-mail: info@awzengineering.com
 New Jersey Certificate of Authorization No.: 24GA28118400
 Pennsylvania Certificate of Authority No.: 3771354

ADNAN A. KHAN, P.E., C.M.E.
 PROFESSIONAL ENGINEER

Adnan A. Khan

N.J. LICENSE NO. 39812
 N.Y. LICENSE NO. 086435
 P.A. LICENSE NO. 45052E

08/10/09
 DATE

DRAWN BY	HV	DATE:	07/23/09
DESIGNED BY	AK	DATE:	07/23/09
APPROVED BY	AK	DATE:	08/10/09
NO.	REVISIONS	DATE:	BY:
© 2009, AWZ Engineering, Inc. All Rights Reserved. The copying or reuse of this document, or portions thereof, for other than the original project, or purpose originally intended, without the written permission of AWZ Engineering, Inc., is strictly prohibited.			