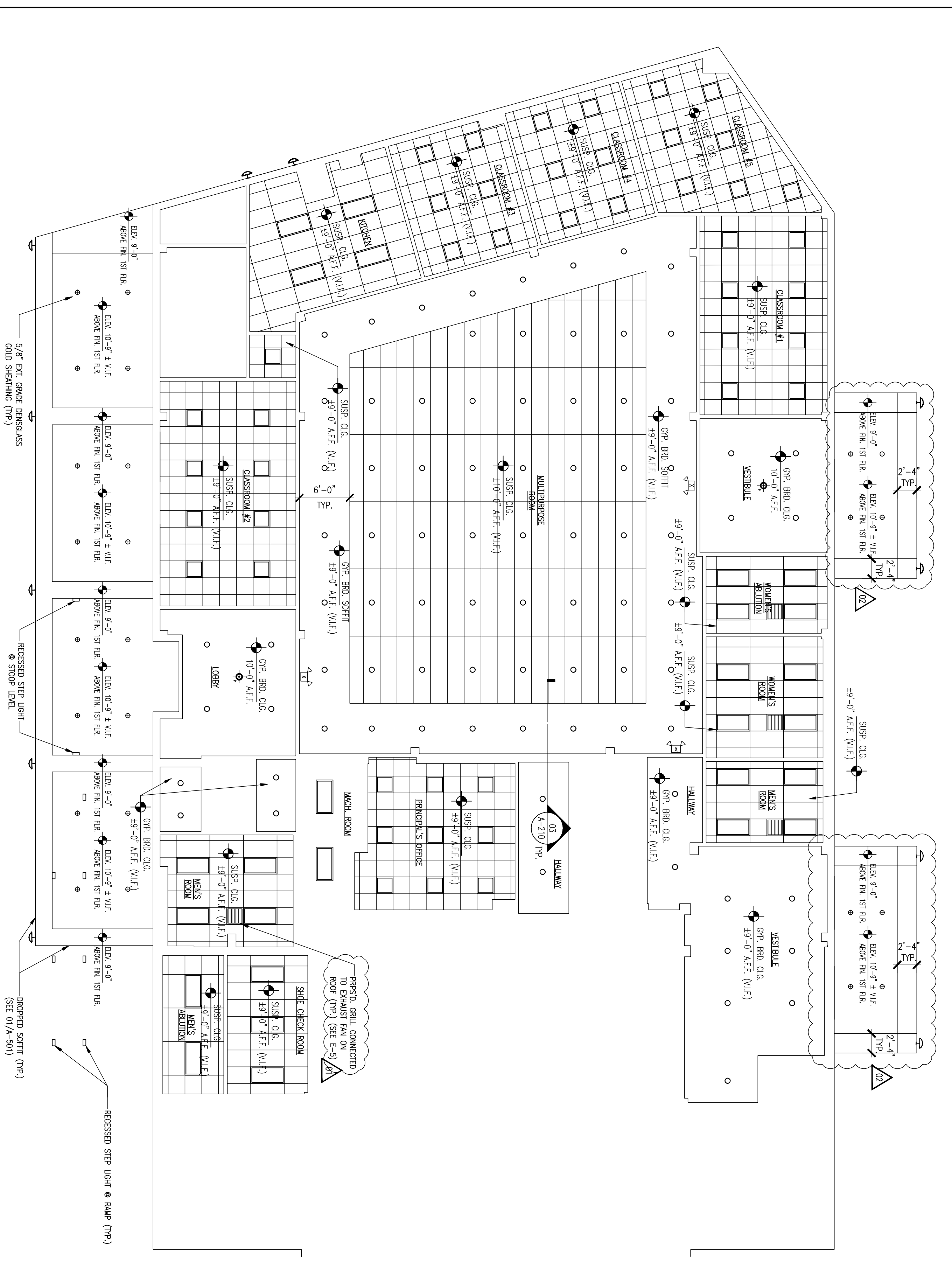


01 FIRST FLOOR LIGHTING/ REFLECTED CEILING PLAN

SCALE: 1/8" = 1'-0"



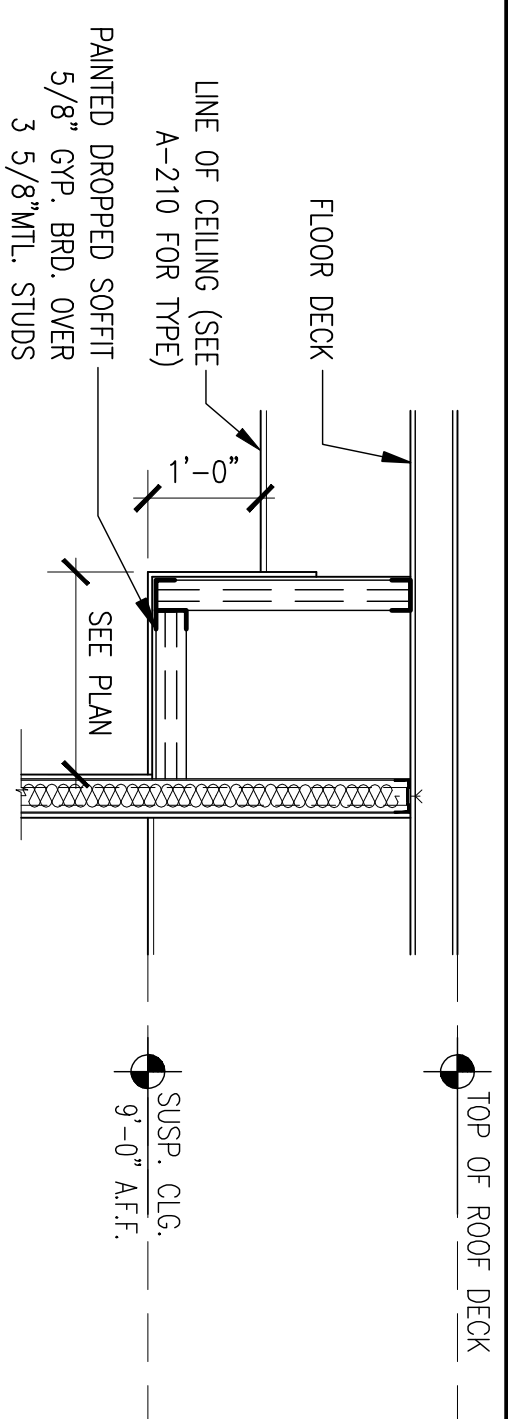
KEY	SYMBOL	BRAND NAME	CATALOG #	DESCRIPTION	LAMP	LAMP WATTAGE
A	□	COLUMBIA	SIR24-2306-FSA12-888-PAF-RECESSED 2X4	COLUMBIA LIGHTING - 24" X 48" SHALLOW SPECIFICATION TROFFER	F32TRBL330	32
B	□	COLUMBIA	EPCC2-2246-SH-EP-2X2	COLUMBIA LIGHTING - 24" X 24" HIGH EFFICIENCY, E-POC FULL DISTRIBUTION LUMINAIRE	PL-124W/830 2011/4P	
C	○	JUNO	CR8-421-620C-NH	8" VERTICAL CRI DOWNLIGHT - OPEN APERTURE - 42 WATT RECESSED-SPECULUS CLEAR	PL-142W-30/4P	42
C-2	○	JUNO	CR8-1260-800C-NH	8" VERTICAL CRI DOWNLIGHT - LENSED APERTURE 28 WATT RECESSED	PL-C 28W/35/4P	28
D	⊕	SURE-LITES	AP80 RM-AP29350	81/2" 5.4W INCANDESCENT WEDGE BASE, BARE LAMP	NCL	
E	⊕	JUNO	PI24WP-G-8RZ	ALFA TUSCAN VILLA PENDANT LIGHT	4039	40
F	⊕	JUNO	PR03M-G-XXX-XX-146-195	ALFA MONDUNE PENDANT LIGHT (IN DOME)	4039	40
G	↶	ARCHITECTURAL AREA LIGHTING	VSTL-08-70MHTR8-NRG	VENRE TRADITIONAL - OUTDOOR WALL	CMHHT01U/830/912	70
F	⊕	JUNO	IC151EHS8S-R35 BLK	IC LED OUTDOOR STEP LIGHT	NCL	
H	▽	STERNER	PL6-150MH-RM-XX-SMSTFZ	STERNER INFRANOR - POLARIS 6 MOUNTED 8"-Ø HIGH ON ROUND POLE	PS MH S84 175W/ 635 Mag E02	175

02 ARISTON SUSPENDED CIG. LEGEND

LOCATION	CATALOG #	DESCRIPTION
MECHANICAL & STORAGE ROOMS	2906	24" X 48" SHASTA SQUARE LV-N PRELUDE XL 15/16 GRID
KITCHENS, BATHROOMS & ABULTION ROOMS	793	24" X 48" GERMAN SQUARE PRELUDE XL 15/16 GRID
OFFICES & CLASSROOMS	1911	24" X 24" ULTIMA TESSLAR PRELUDE XL 15/16 GRID
MULTIPURPOSE ROOMS	3907	24" X 96" OPTIMA VECTOR PANK PRELUDE XL 15/16 VECTOR GRID

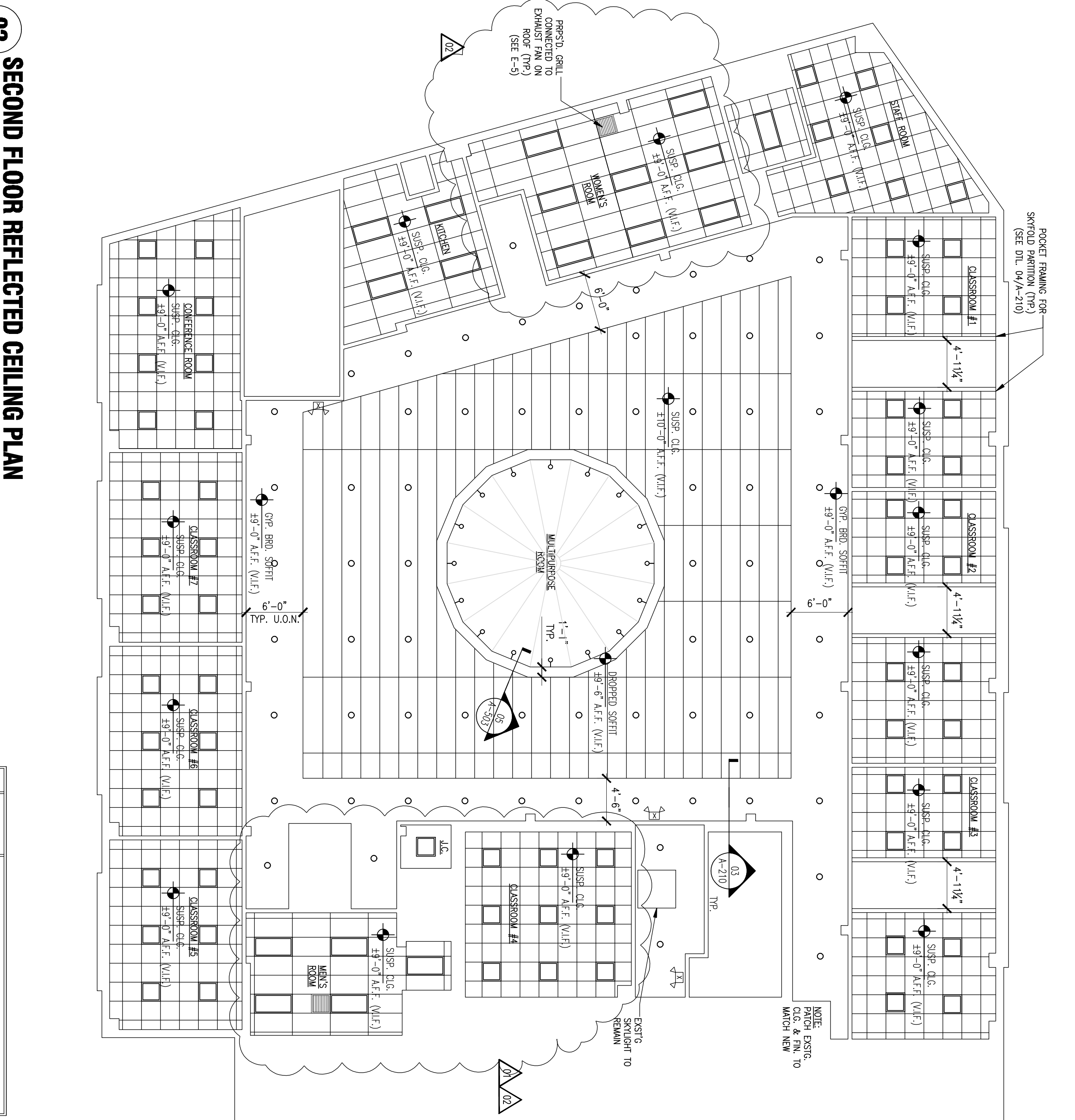
03 TYP. SECTION @ MULTIPURPOSE ROOM SOFFIT

SCALE: 1/2" = 1'-0"



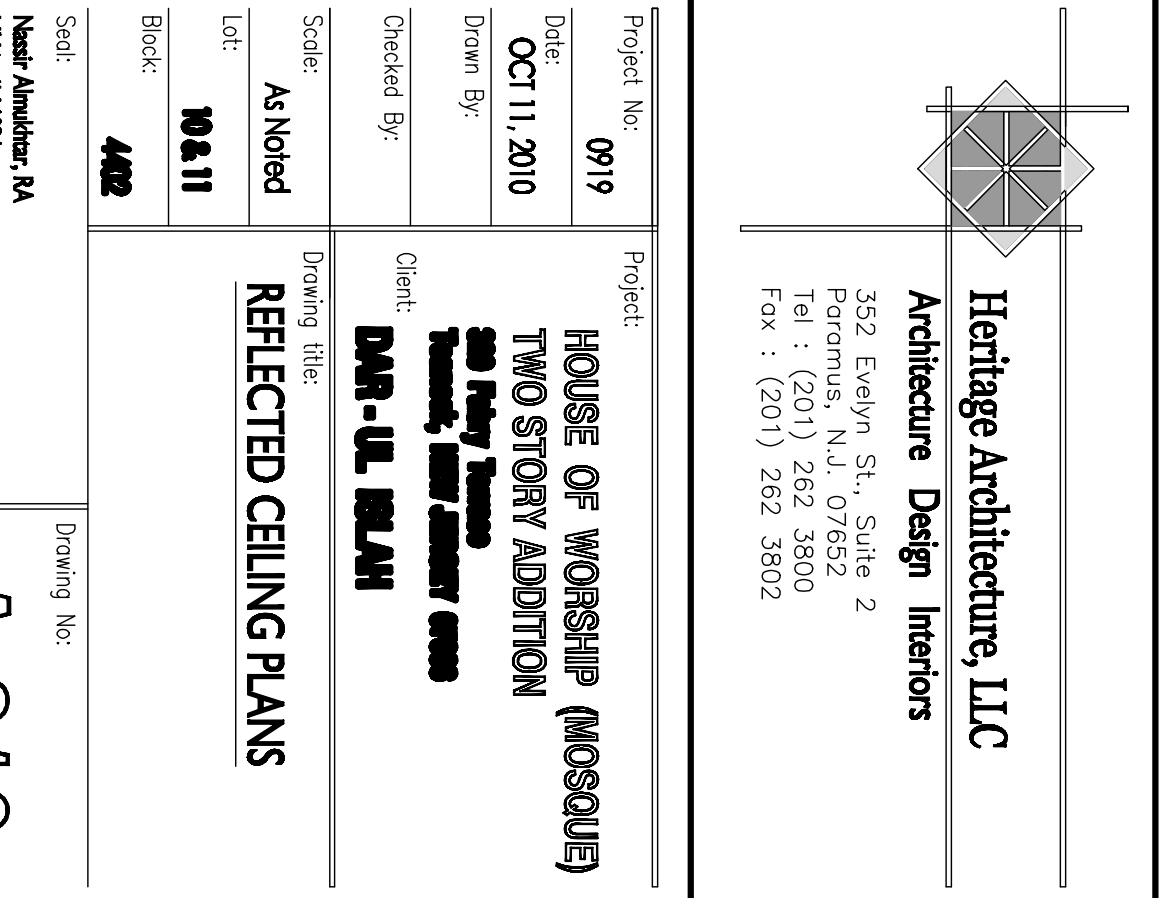
02 SECOND FLOOR REFLECTED CEILING PLAN

SCALE: 1/8" = 1'-0"



04 TYP. SECTION @ SKYFOLD POCKET FRAMING

SCALE: 1/2" = 1'-0"



No.	Date	Revised:
01	3-09-11	DWG. UPDATES & TOWNSHIP COMMENTS
02	12-02-11	DWG. UPDATES

Heritage Architecture, LLC
 Architecture Design Interiors
 352 Evelyn St., Suite 2
 Paramus, N.J. 07652
 Tel : (201) 262 3800
 Fax : (201) 262 3802

Project: **HOUSE OF WORSHIP (MOSQUE) TWO STORY ADDITION**
 Client: **DAR-UL-ISLAM**
 Checked By: **DAR-UL-ISLAM**
 Scale: **As Noted**
 Date: **10.11.11**
 Block: **402**

Project No: **0919**
 Date: **Oct 11, 2010**
 Drawn By: **DAW**
 Checked By: **DAW**
 Scale: **As Noted**
 Date: **10.11.11**
 Block: **402**

Drawing No: **A-210**
 Sheet: **1**
 Total Sheets: **1**