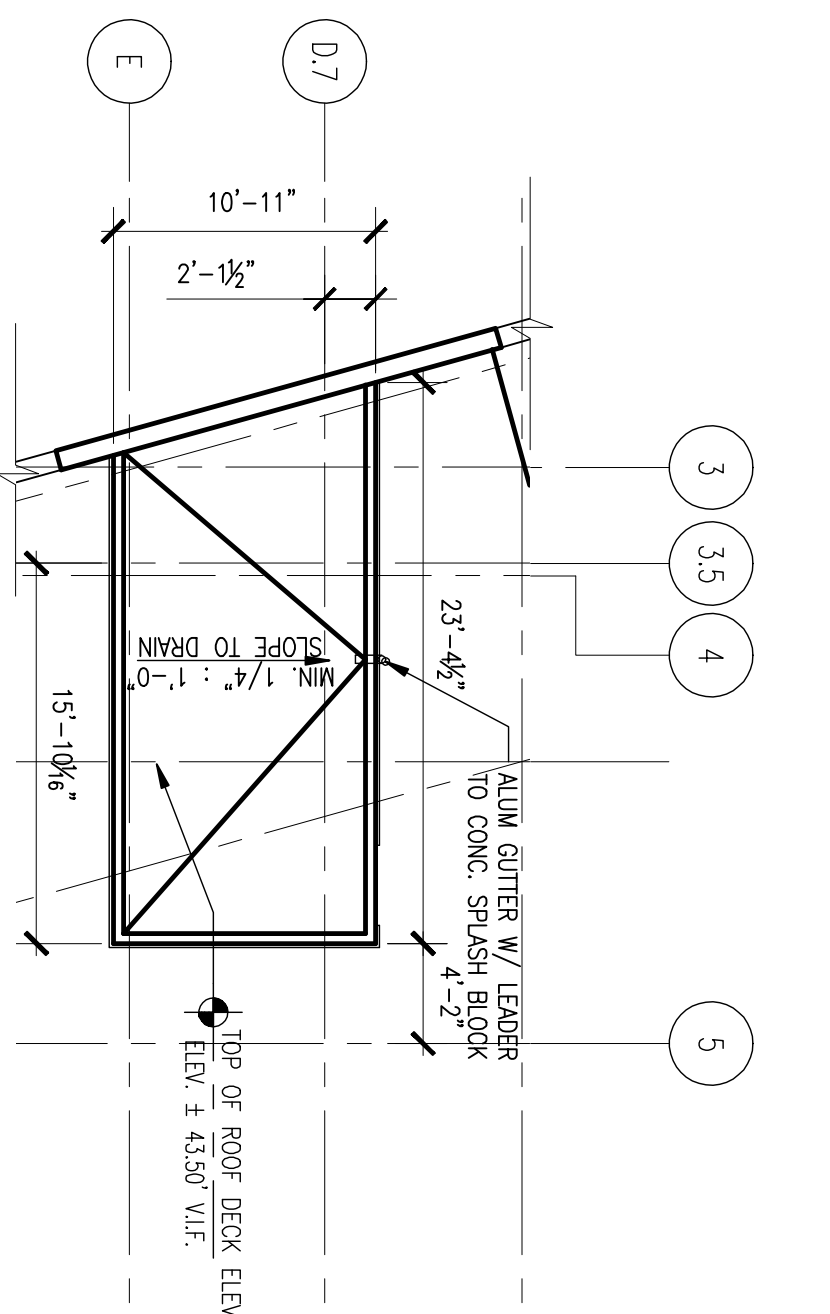
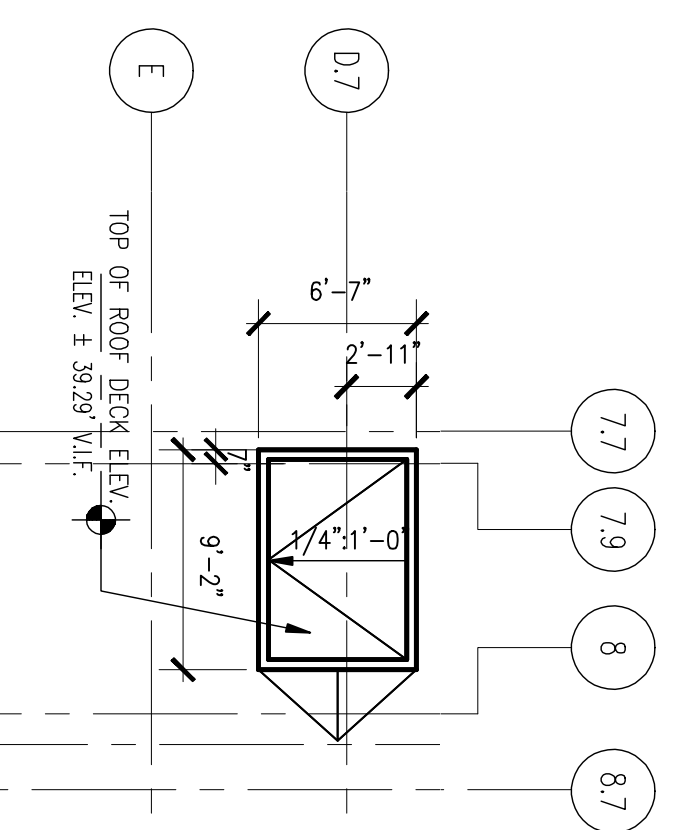


01 ROOF PLAN
SCALE : 1/8" = 1'-0"



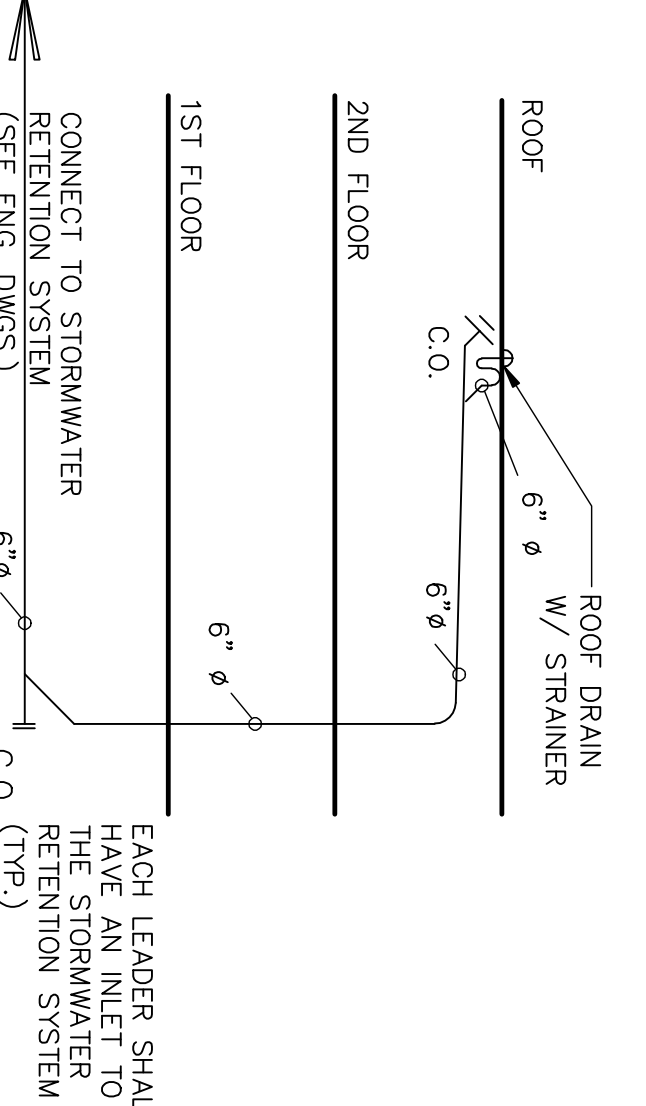
02 ROOF PLAN @ STAIR BULKHEAD
SCALE : 1/8" = 1'-0"



03 ROOF PLAN @ ELEVATOR BULKHEAD
SCALE : 1/8" = 1'-0"

NJAC 5:23-3.15(6), 13.11
ROOF DRAIN CALCULATIONS:
PREP'D. ROOF AREA = 7690 S.F.
2880 S.F. = 1.3
(2) 6" STORM DRAINS REQ'D.
(4) 6" STORM DRAINS PROVIDED

NOTE:
ROOF TO BE SINGLE PLY EPDM
ROOFING BY GAR PROVIDE 20
YEAR WARRANTY



04 STORM WATER RISER DIAGRAM
SCALE : NOT TO SCALE

No.	Date	Revised:
01	3-09-11	DWG. UPDATES & TOWNSHIP COMMENTS
02	12-02-11	DWG. UPDATES

Heritage Architecture, LLC
Architecture Design Interiors
352 Evelyn St., Suite 2
Paramus, N.J. 07652
Tel : (201) 262-3800
Fax : (201) 262-3802

Project: **HOUSE OF WORSHIP (MOSQUE) TWO STORY ADDITION**
Drawn By: **DAR-UL-ISLAM**
Checked By: **DAR-UL-ISLAM**
Scale: **As Noted**
Title: **ROOF PLAN, ELEVATOR BULKHEAD PLAN, STAIR BULKHEAD PLAN, STORMWATER RISER DIAGRAM**

Sheet: **A-103**
Number: **4482**
Date: **10/11/2010**
Project: **HOUSE OF WORSHIP (MOSQUE) TWO STORY ADDITION**
Drawn By: **DAR-UL-ISLAM**
Checked By: **DAR-UL-ISLAM**
Scale: **As Noted**
Title: **ROOF PLAN, ELEVATOR BULKHEAD PLAN, STAIR BULKHEAD PLAN, STORMWATER RISER DIAGRAM**