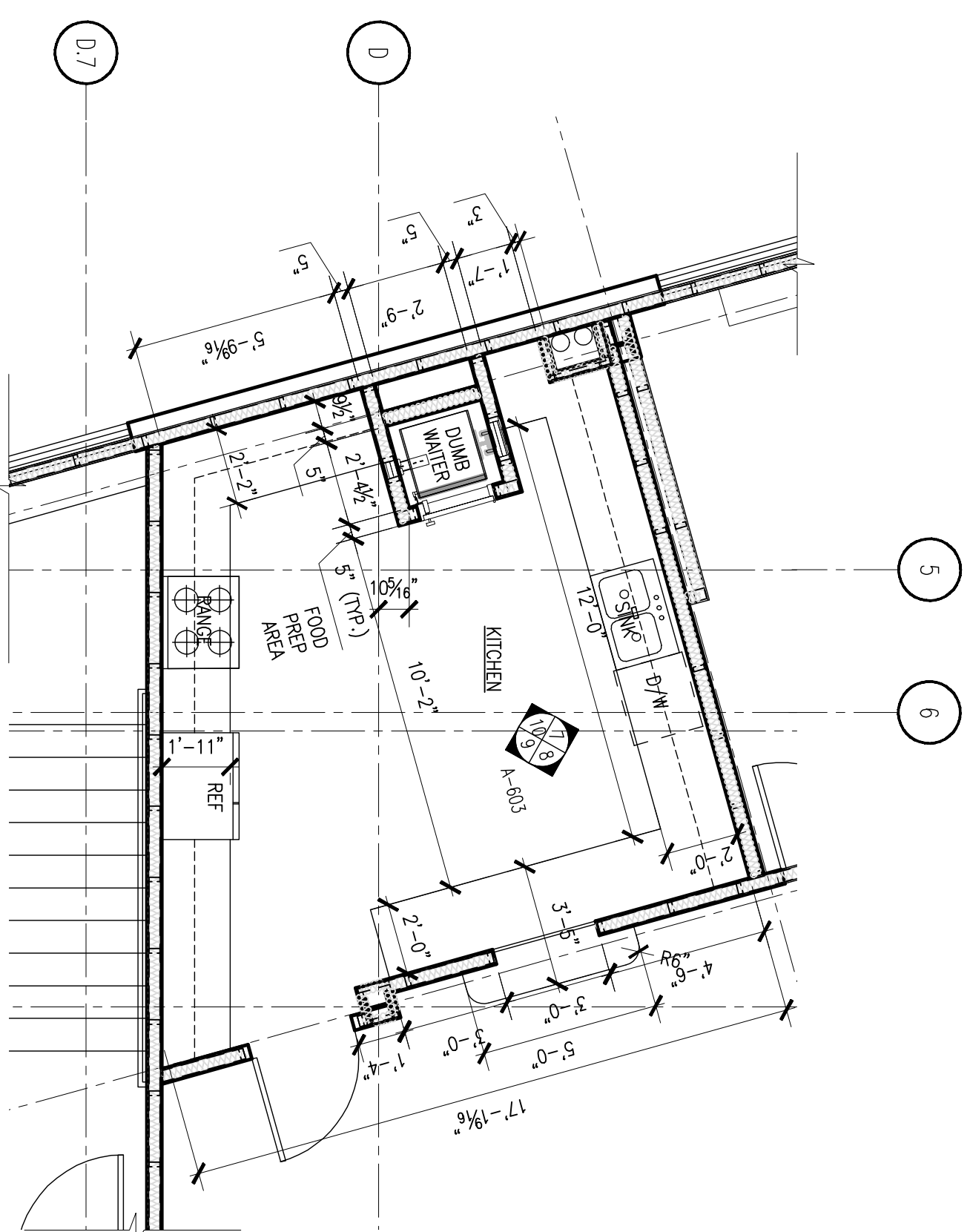
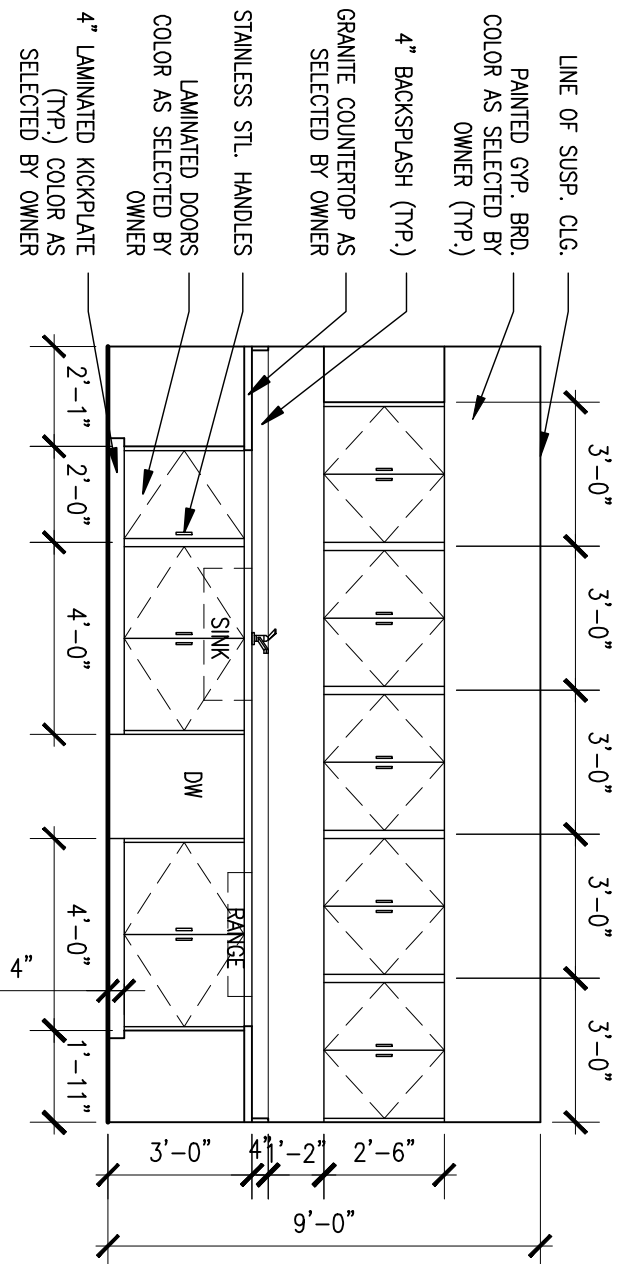


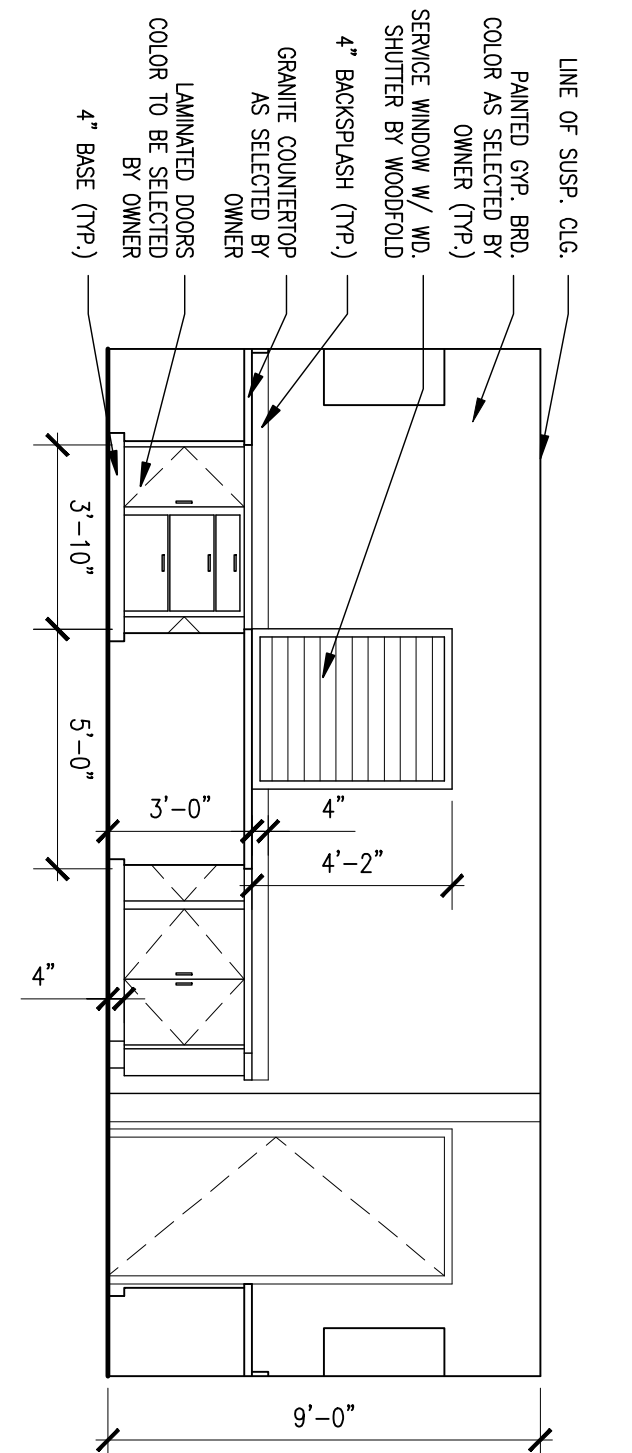
01 PLAN @ 1ST FLR KITCHEN
SCALE: 1/4" = 1'-0"



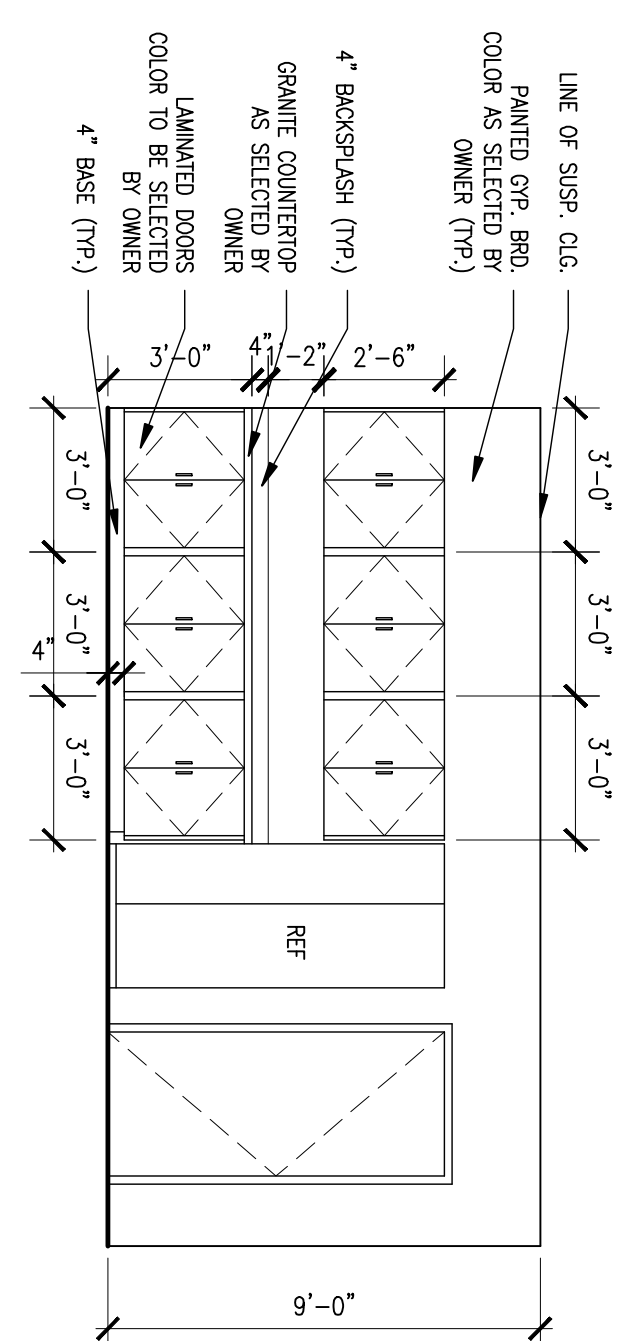
02 PLAN @ 2ND FLR KITCHEN
SCALE: 1/4" = 1'-0"



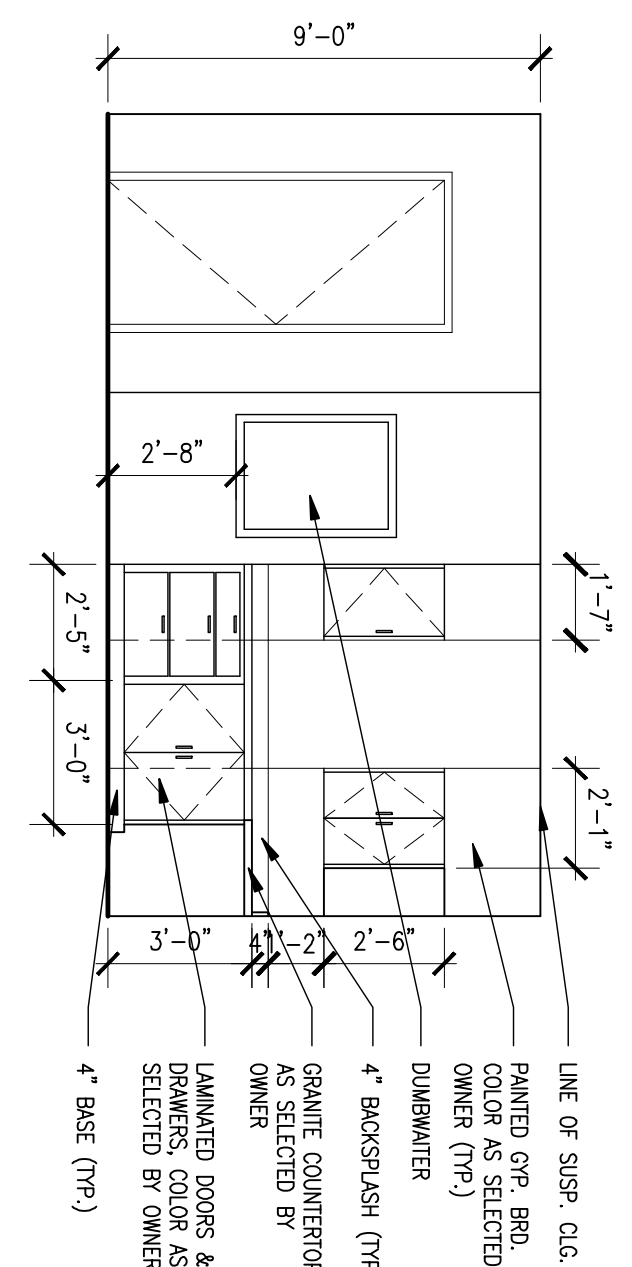
03 KITCHEN INTERIOR ELEVATION
SCALE: 1/4" = 1'-0"



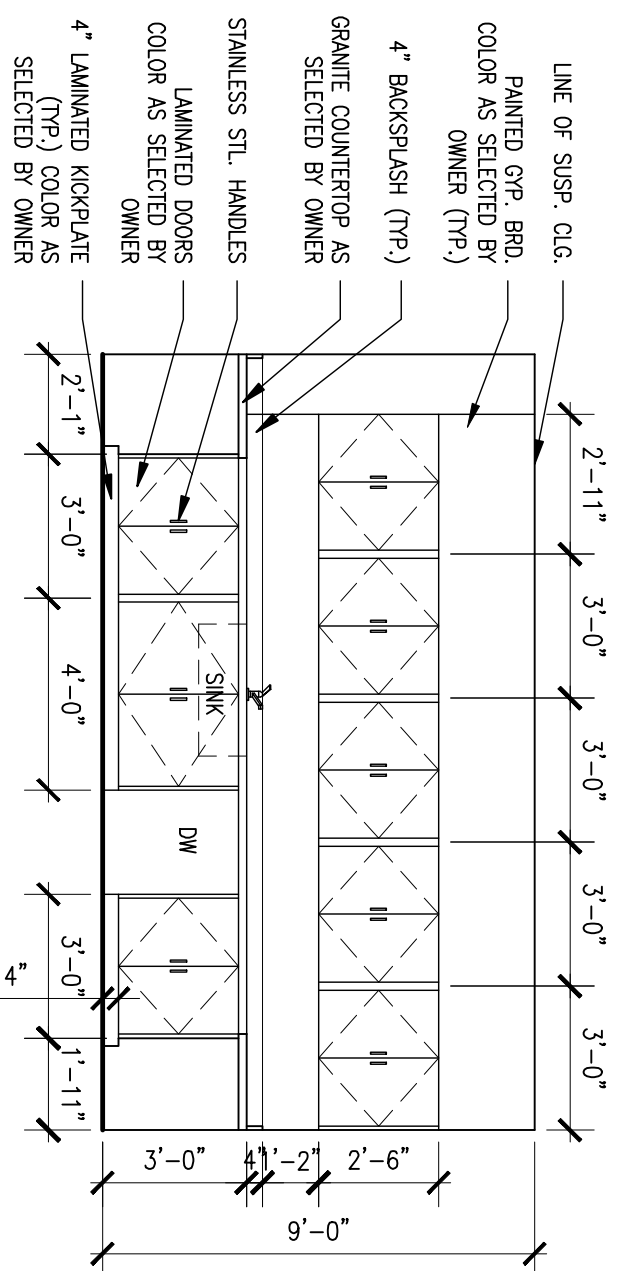
04 KITCHEN INTERIOR ELEVATION
SCALE: 1/4" = 1'-0"



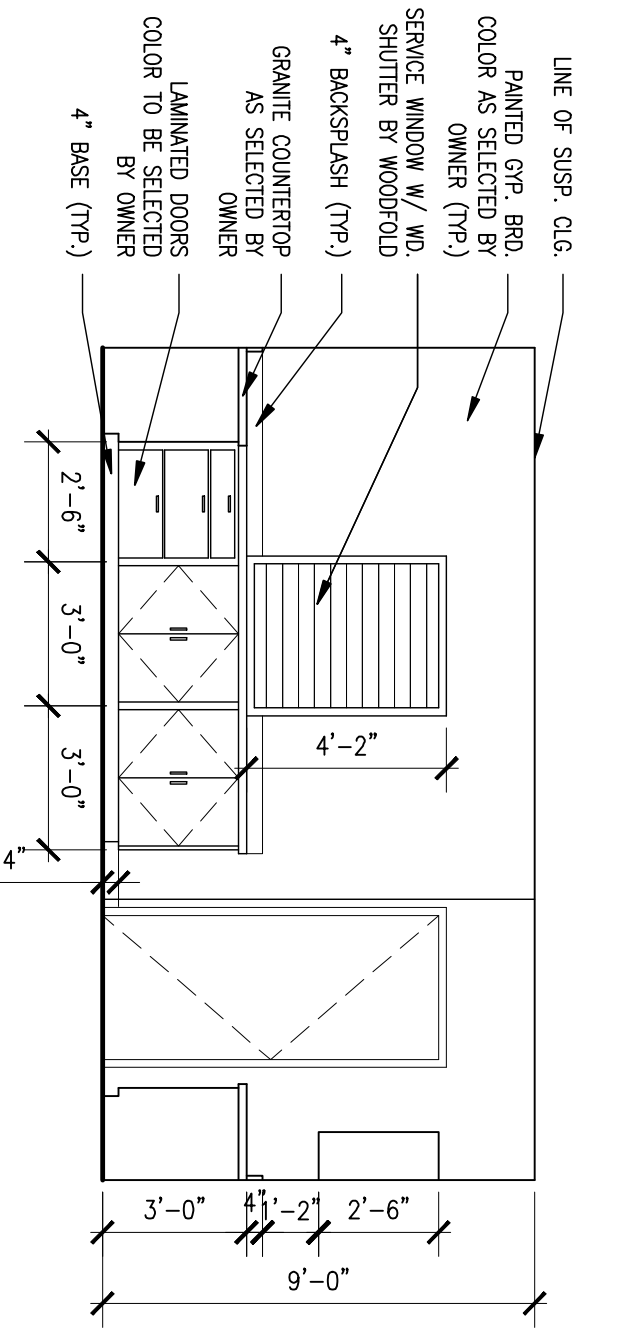
05 KITCHEN INTERIOR ELEVATION
SCALE: 1/4" = 1'-0"



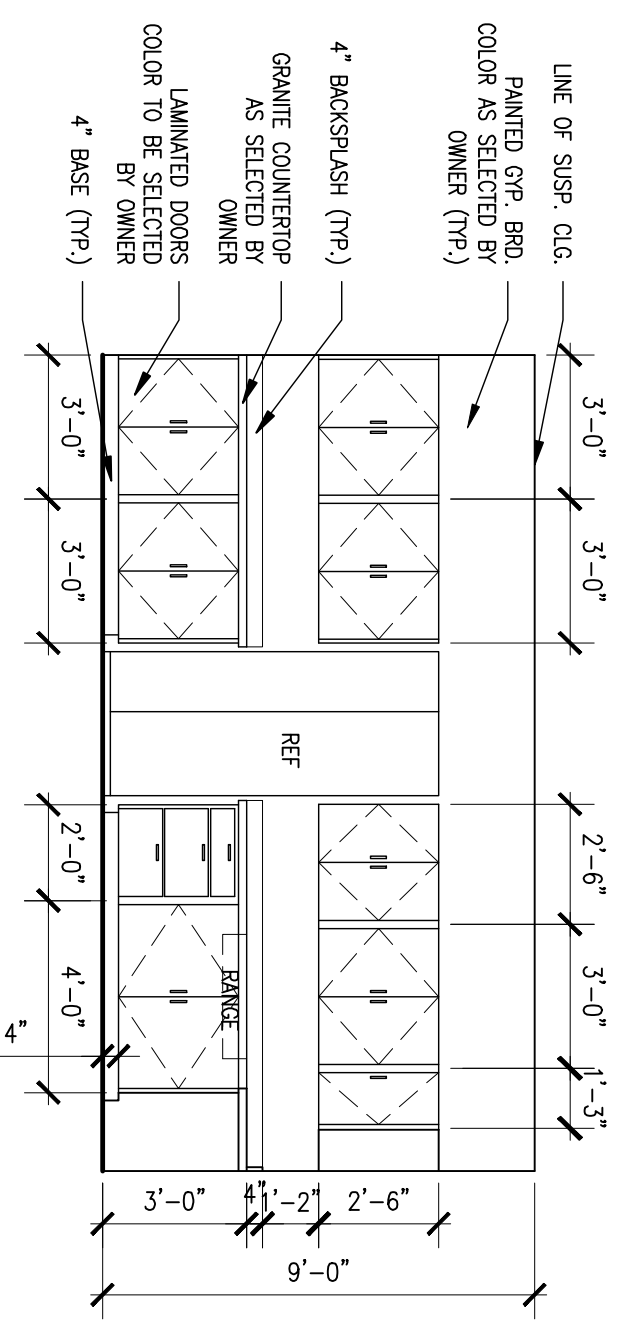
06 KITCHEN INTERIOR ELEVATION
SCALE: 1/4" = 1'-0"



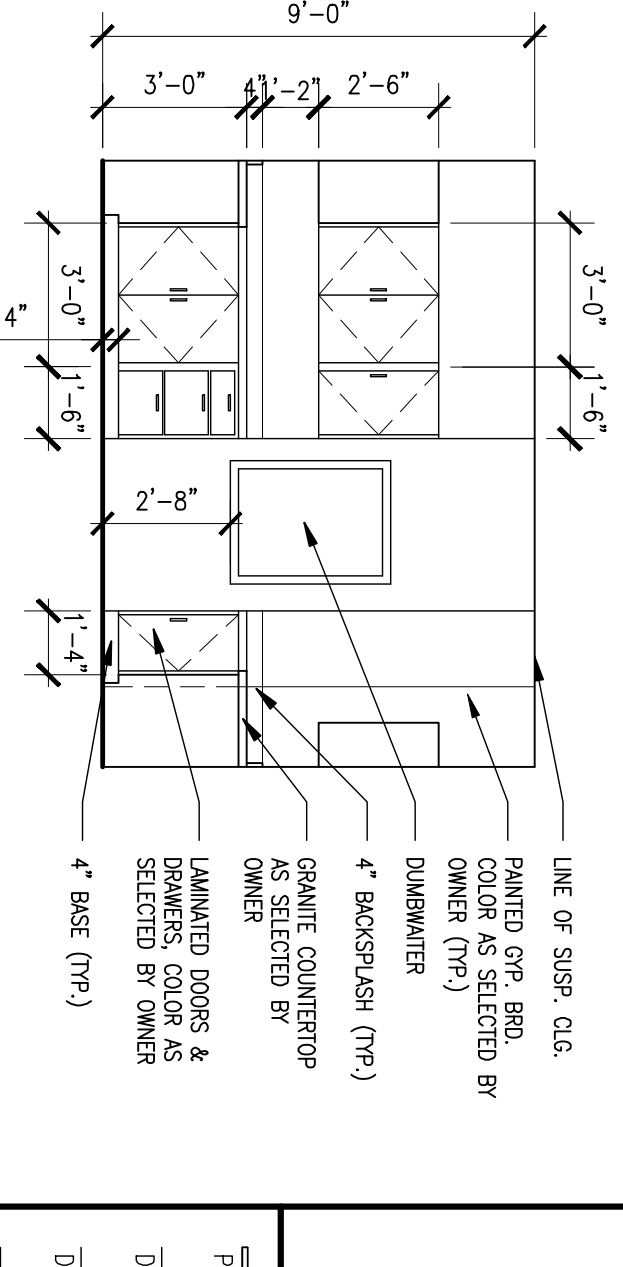
07 KITCHEN INTERIOR ELEVATION
SCALE: 1/4" = 1'-0"



08 KITCHEN INTERIOR ELEVATION
SCALE: 1/4" = 1'-0"



09 KITCHEN INTERIOR ELEVATION
SCALE: 1/4" = 1'-0"



10 KITCHEN INTERIOR ELEVATION
SCALE: 1/4" = 1'-0"

No.	Date	Revised:
01	3-09-11	DWG. UPDATES & TOWNSHIP COMMENTS



Heritage Architecture, LLC
Architecture Design Interiors
352 Evelyn St., Suite 2
Perkasie, NJ, 07652
Tel : (201) 262-3800
Fax : (201) 262-3802

Project: **HOUSE OF WORSHIP (MOSQUE) TWO STORY ADDITION**
Drawn By: **DAVID J. BULL**
Checked By: **DAVID J. BULL**
Scale: **As Noted**
Date: **10.11.11**
Block: **402**

Drawing Title: **KITCHEN ENLARGED PLANS & INTERIOR ELEVATIONS**

Seal: **David J. Bull**
New Jersey Architect No. **NYLC # 1053**
Drawing No.: **A-603**