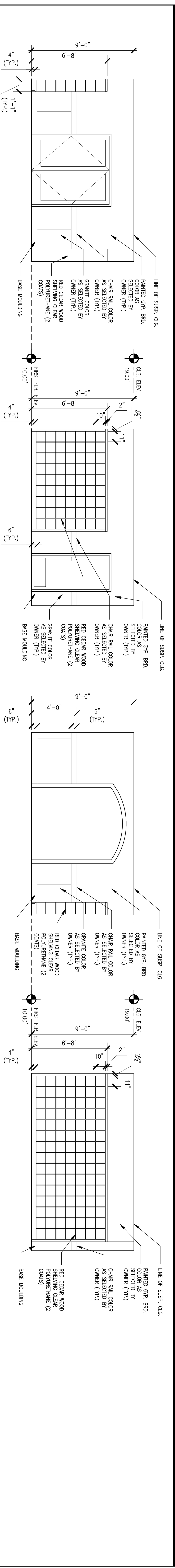


**04** LOBBY INTERIOR ELEVATION  
SCALE: 1/4" = 1'-0"

**05** LOBBY INTERIOR ELEVATION  
SCALE: 1/4" = 1'-0"

**06** LOBBY INTERIOR ELEVATION  
SCALE: 1/4" = 1'-0"

**07** LOBBY INTERIOR ELEVATION  
SCALE: 1/4" = 1'-0"

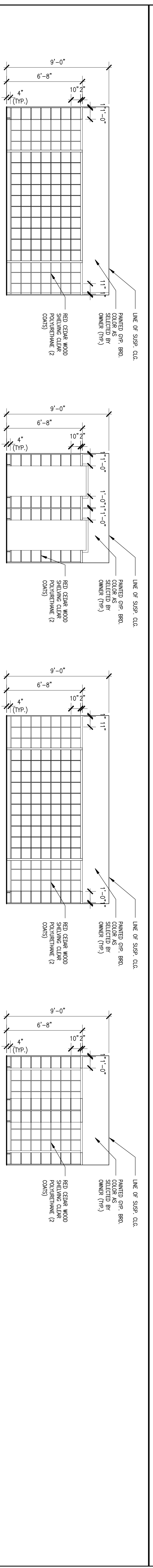


**08** VESTIBULE INTERIOR ELEVATION  
SCALE: 1/4" = 1'-0"

**09** VESTIBULE INTERIOR ELEVATION  
SCALE: 1/4" = 1'-0"

**10** VESTIBULE INTERIOR ELEVATION  
SCALE: 1/4" = 1'-0"

**11** VESTIBULE INTERIOR ELEVATION  
SCALE: 1/4" = 1'-0"

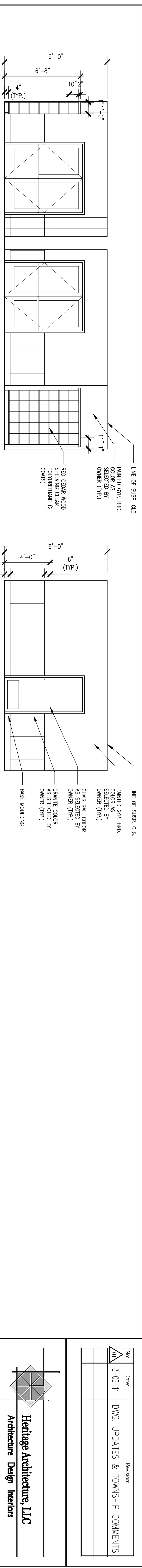


**12** SHOE CHECK INTERIOR ELEVATION  
SCALE: 1/4" = 1'-0"

**13** SHOE CHECK INTERIOR ELEVATION  
SCALE: 1/4" = 1'-0"

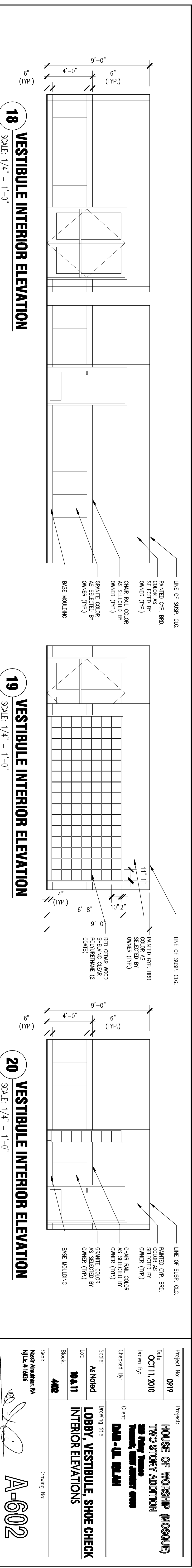
**14** SHOE CHECK INTERIOR ELEVATION  
SCALE: 1/4" = 1'-0"

**15** SHOE CHECK INTERIOR ELEVATION  
SCALE: 1/4" = 1'-0"



**16** VESTIBULE INTERIOR ELEVATION  
SCALE: 1/4" = 1'-0"

**17** VESTIBULE INTERIOR ELEVATION  
SCALE: 1/4" = 1'-0"



**18** VESTIBULE INTERIOR ELEVATION  
SCALE: 1/4" = 1'-0"

**19** VESTIBULE INTERIOR ELEVATION  
SCALE: 1/4" = 1'-0"

**20** VESTIBULE INTERIOR ELEVATION  
SCALE: 1/4" = 1'-0"

No.	Date	Revised:
01	3-09-11	DWG. UPDATES & TOWNSHIP COMMENTS

**Heritage Architecture, LLC**  
 Architecture Design Interiors  
 352 Evelyn St., Suite 2  
 Paramus, N.J. 07652  
 Tel.: (201) 262-3800  
 Fax.: (201) 262-3802

Project: **HOUSE OF WORSHIP (MOSQUE) TWO STORY ADDITION**  
 Drawn By: **DAVID L. BULLAH**  
 Checked By: **DAVID L. BULLAH**  
 Scale: **As Noted**  
 Date: **10.11.11**  
 Block: **402**  
 Sheet: **101**  
 Title: **LOBBY, VESTIBULE, SHOE CHECK INTERIOR ELEVATIONS**  
 Project Number: **MA**  
 NY Lic # **1005**  
 Drawing No.: **A-602**  
 Heritage Architecture, LLC