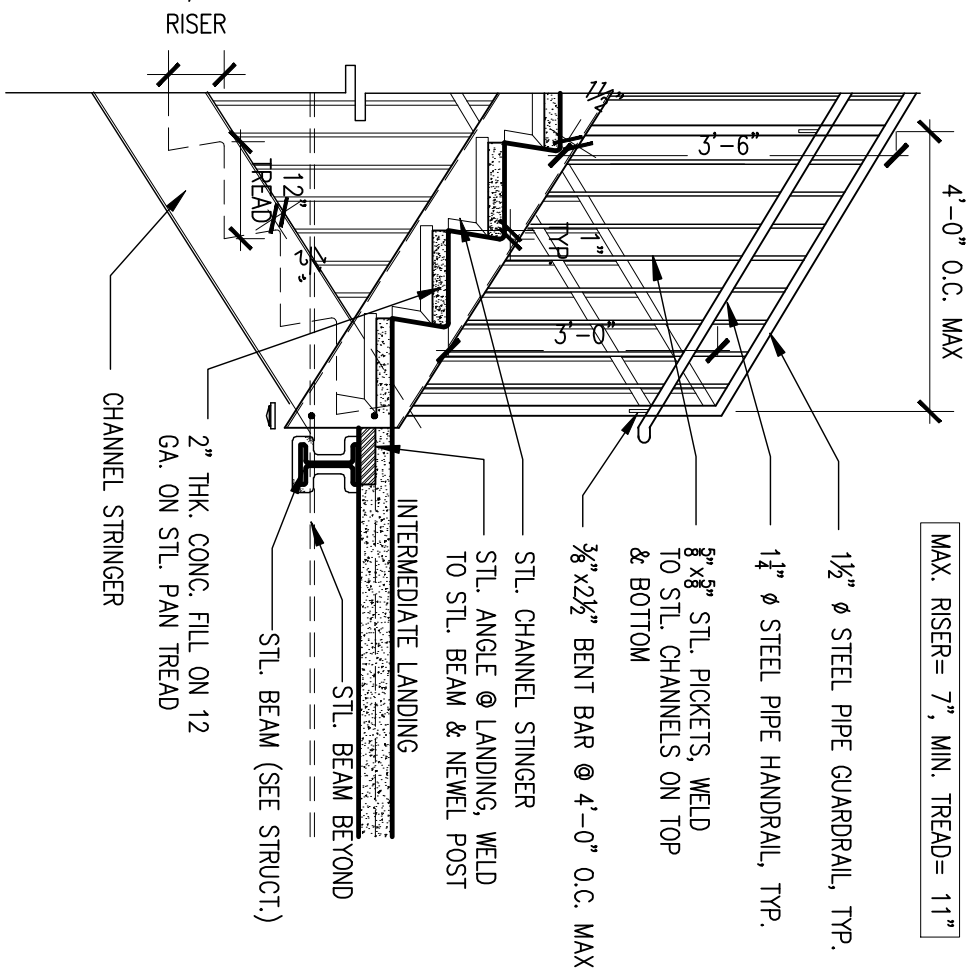
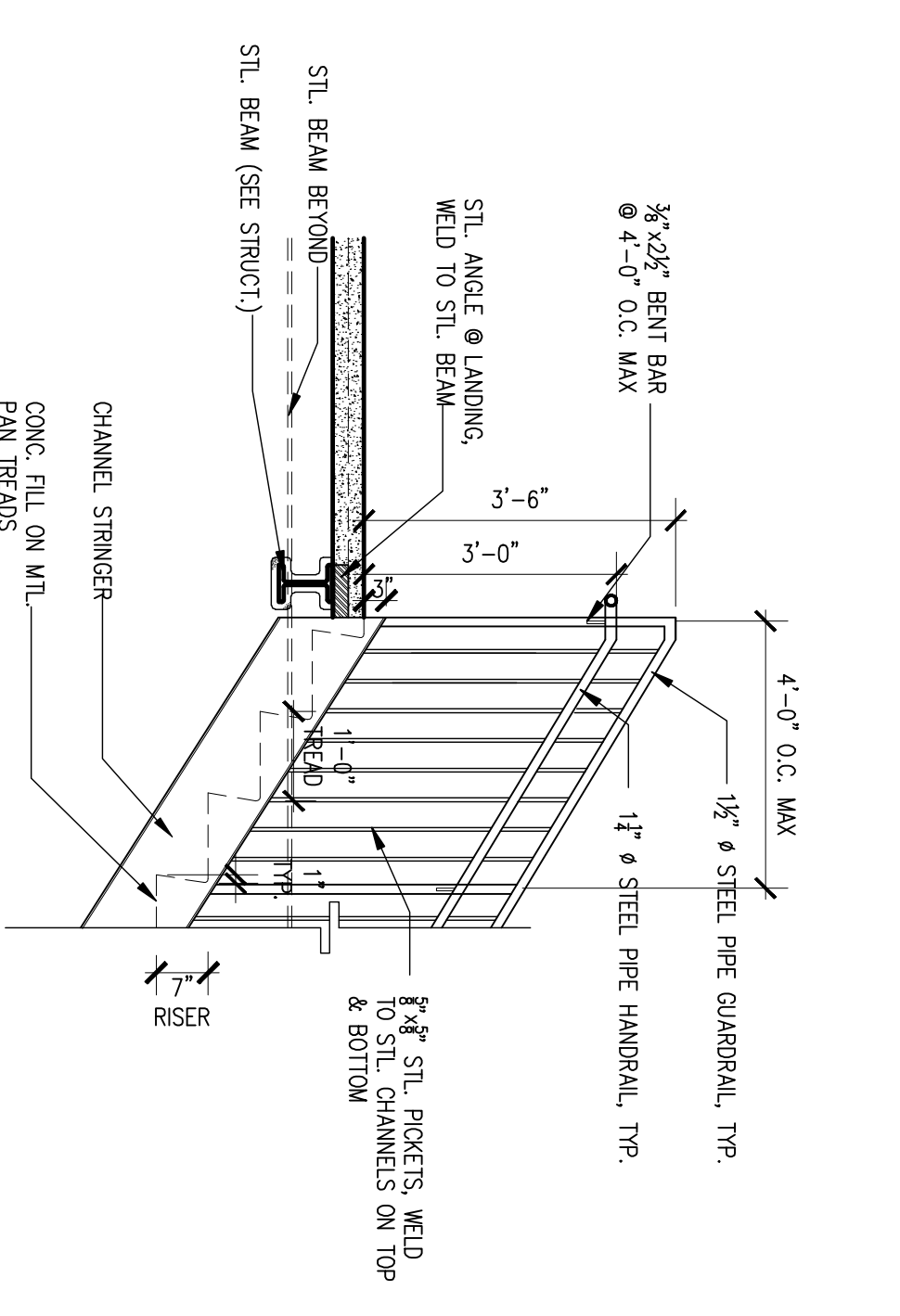


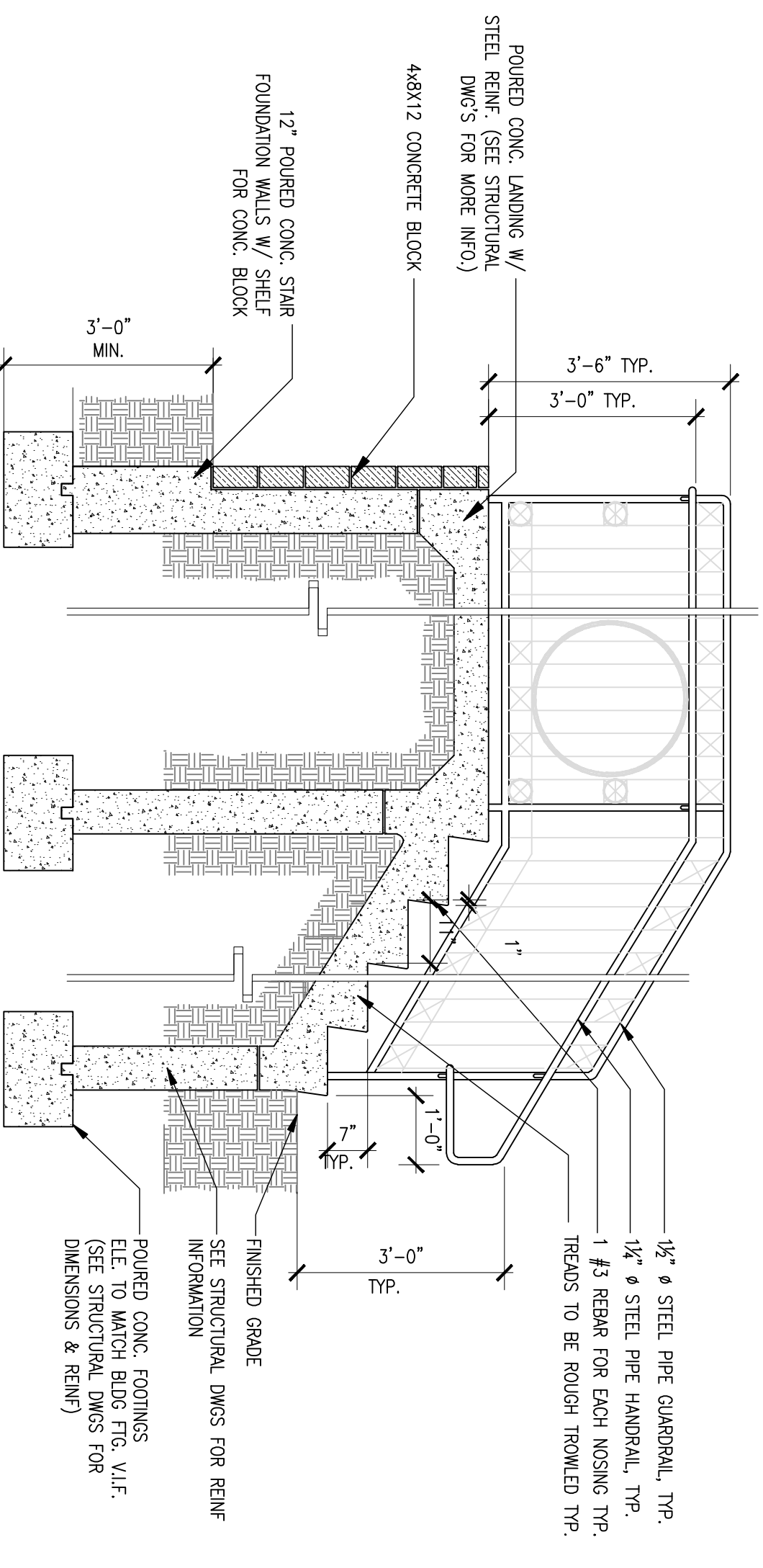
**01 INTERIOR STAIR SECTION (TYP.)**  
SCALE: 1/2" = 1'-0"



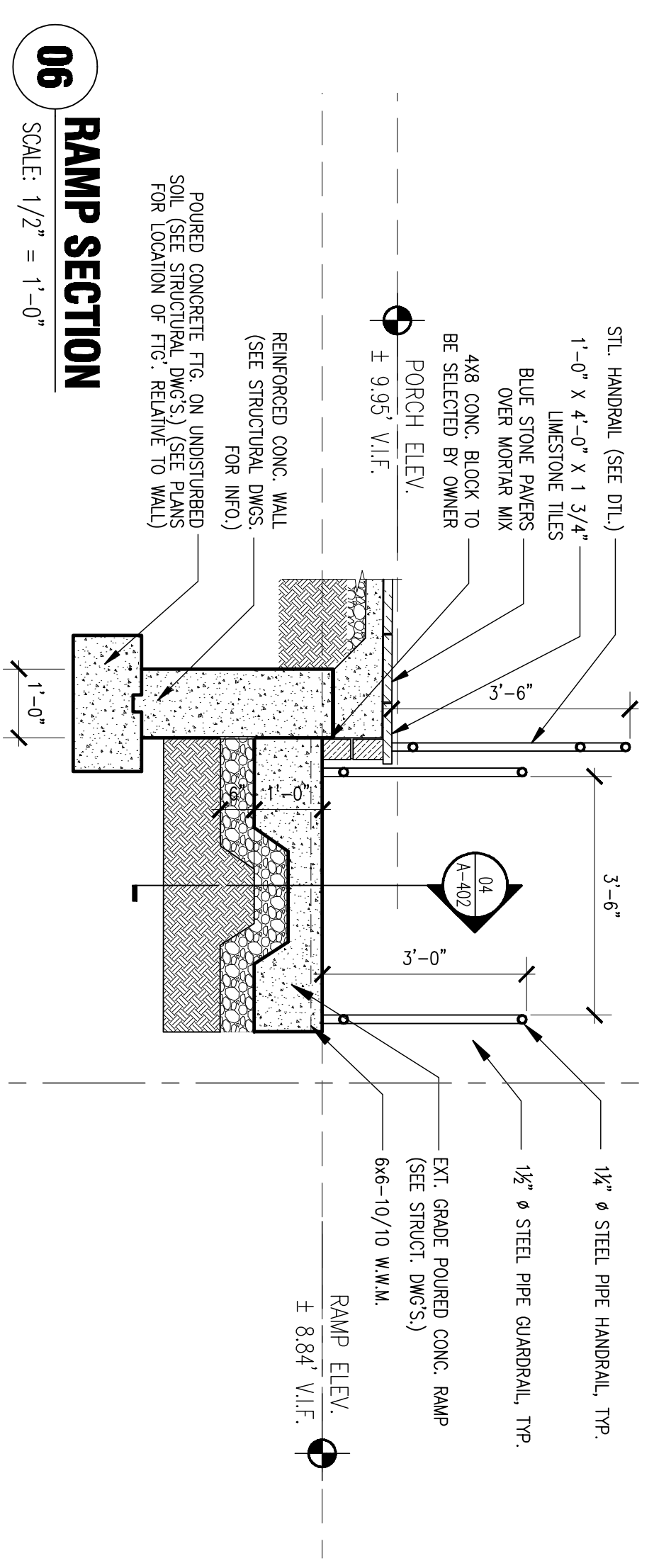
**04 RAMP SECTION (TYP.)**  
SCALE: 1/2" = 1'-0"



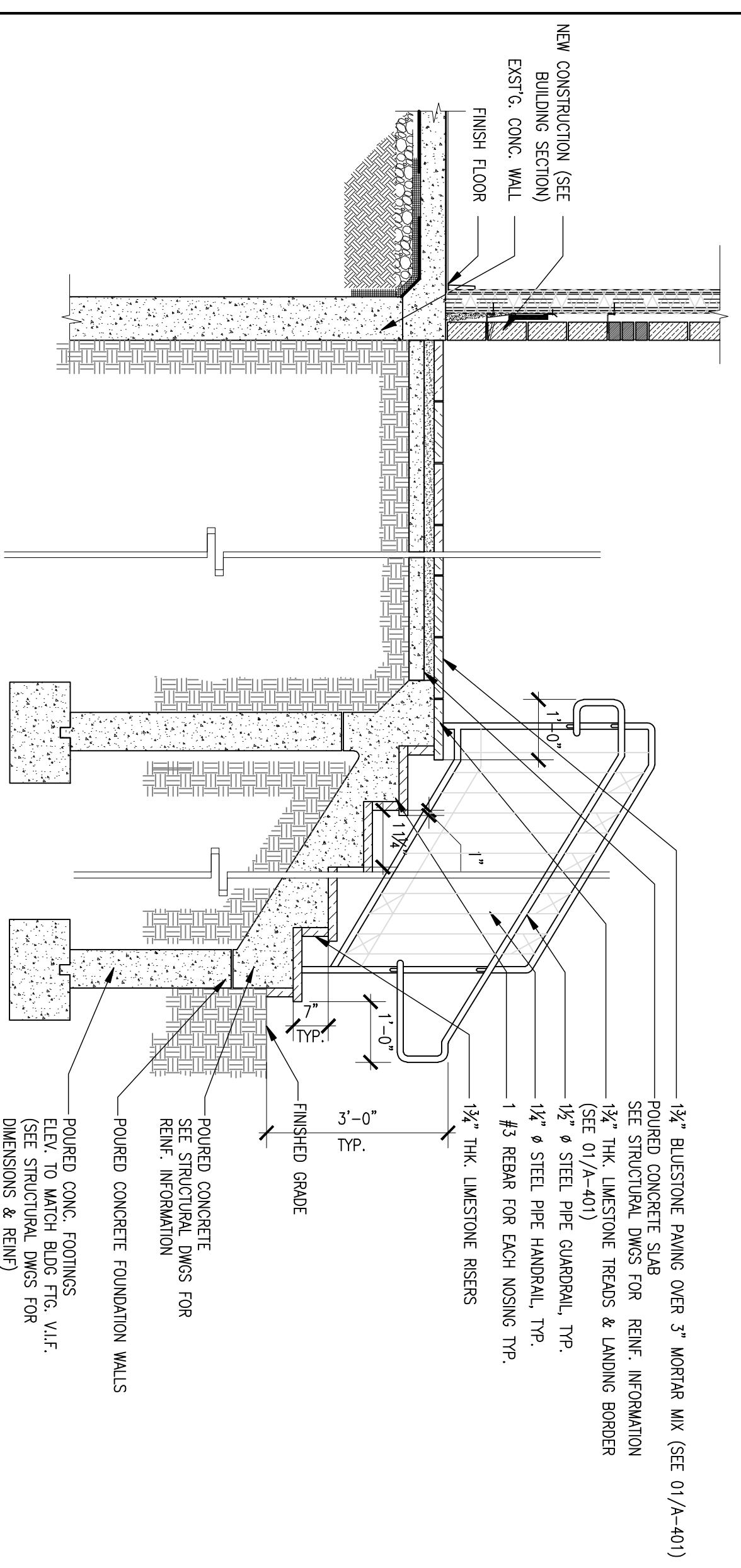
**05 RAMP SECTION**  
SCALE: 1/2" = 1'-0"



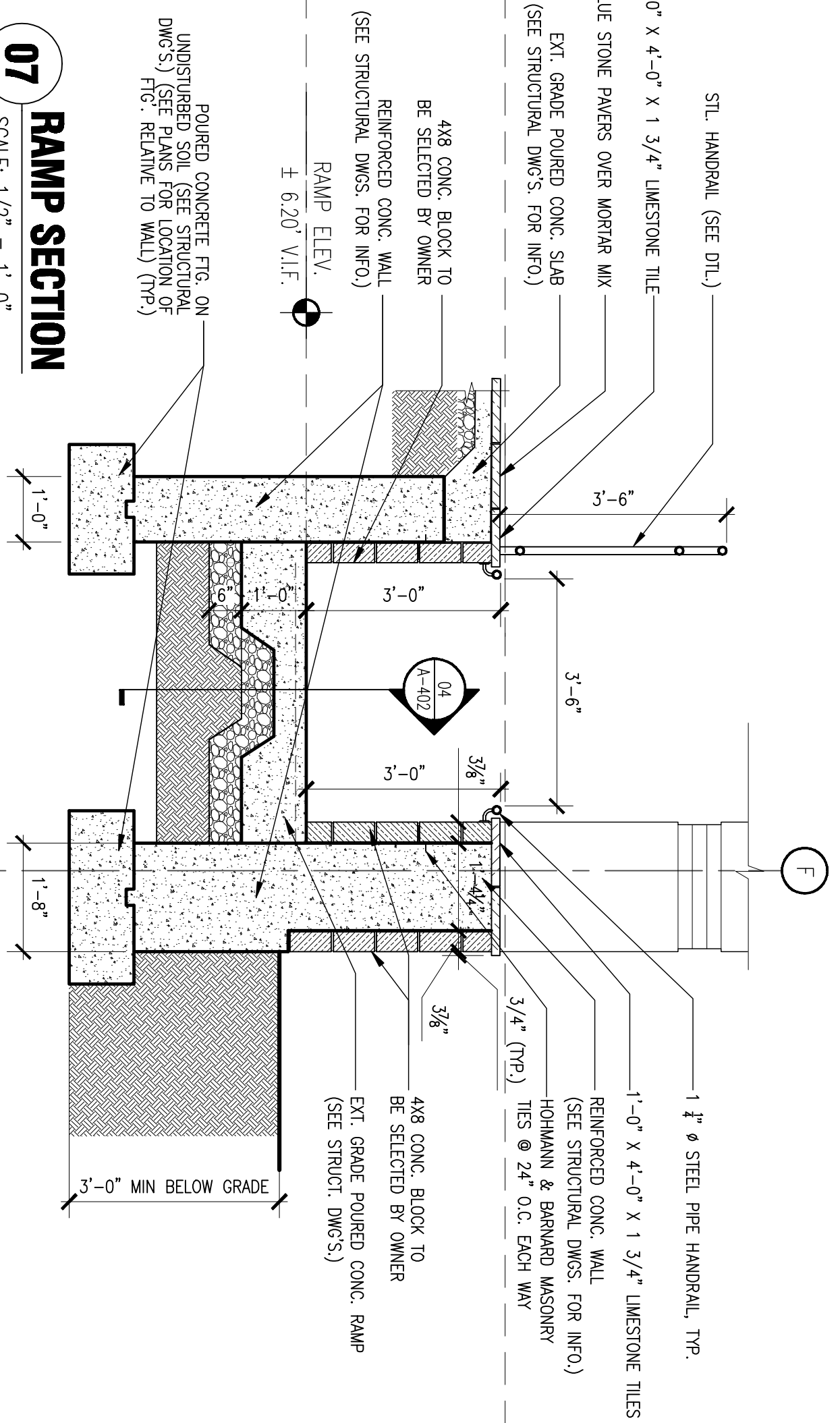
**02 EXTERIOR STAIR SECTION (TYP.)**  
SCALE: 1/2" = 1'-0"



**06 RAMP SECTION**  
SCALE: 1/2" = 1'-0"

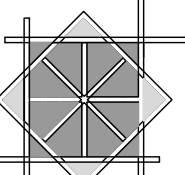


**03 EXTERIOR STAIR SECTION (TYP.)**  
SCALE: 1/2" = 1'-0"



**07 RAMP SECTION**  
SCALE: 1/2" = 1'-0"

No.	Date	Revised:
01	3-09-11	DWG. UPDATES & TOWNSHIP COMMENTS


**Heritage Architecture, LLC**  
 Architecture Design Interiors  
 352 Evelyn St., Suite 2  
 Paramus, N.J. 07652  
 Tel : (201) 262 3800  
 Fax : (201) 262 3802

Project No: **0919**  
 Date: **OCT 11 2010**  
 Drawn By: **DAVID L. BLAH**  
 Checked By: **DAVID L. BLAH**  
 Scale: **AS NOTED**  
 Lot: **10 & 11**  
 Block: **402**  
 Drawing Title: **STAIR & RAMP DETAILS**

Project: **HOUSE OF WORSHIP MOSQUE TWO STORY ADDITION**  
 Owner: **DAVID L. BLAH**  
 Designer: **DAVID L. BLAH**  
 Number: **101**  
 Title: **A-402**  
 Scale: **1/2" = 1'-0"**  
 Date: **10/11/10**  
 Drawn By: **DAVID L. BLAH**  
 Checked By: **DAVID L. BLAH**  
 Scale: **AS NOTED**  
 Lot: **10 & 11**  
 Block: **402**  
 Drawing Title: **STAIR & RAMP DETAILS**