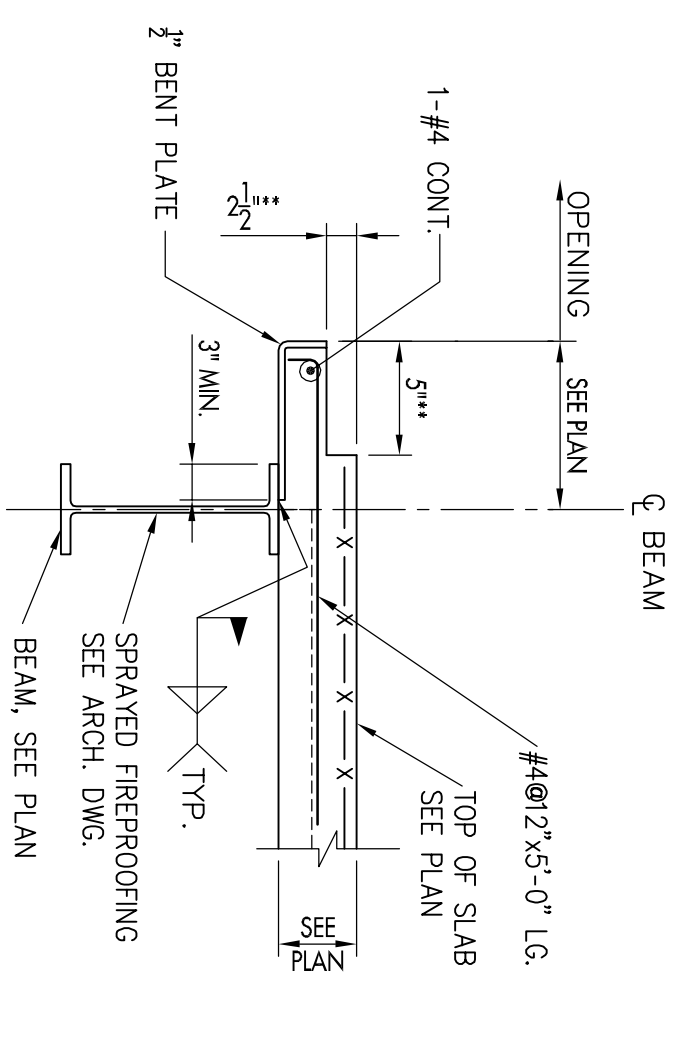


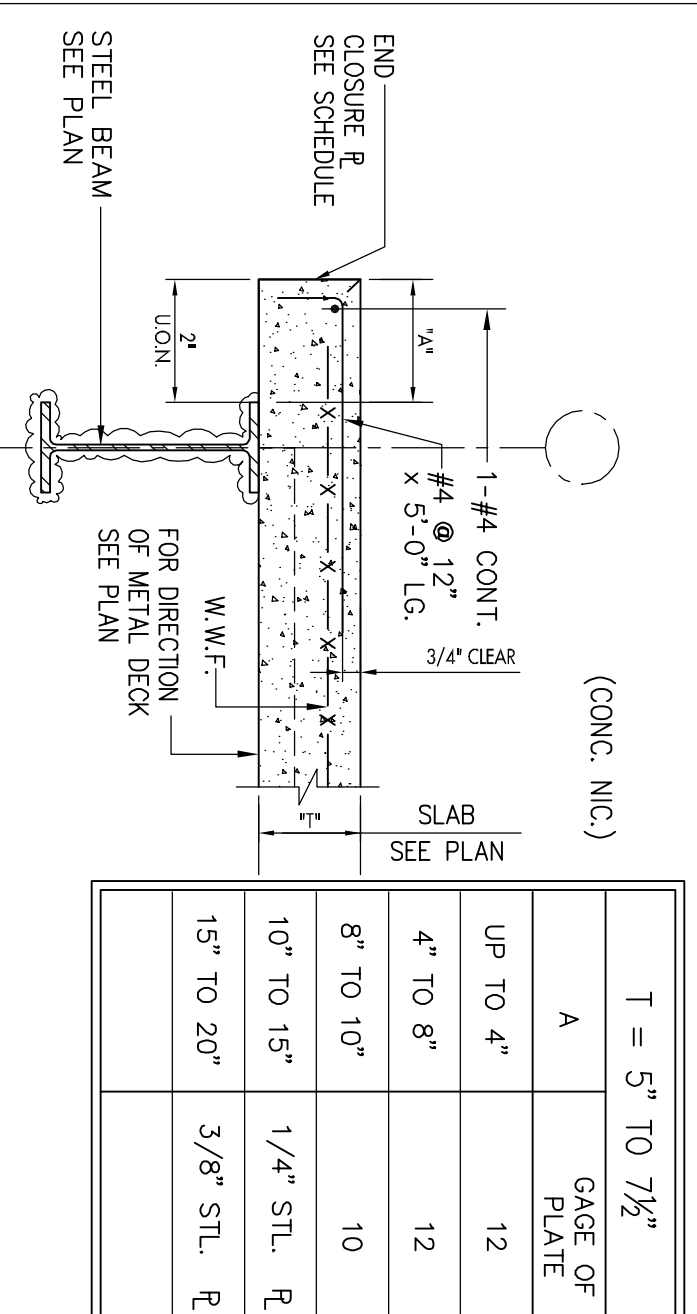
NOTES:
1. PROVIDE WELDED CONNECTION WITH FULL TENSION CAPACITY OF STRAP AT LOCATIONS SUPPORTED BY STEEL BEAMS. WELD STRAP TO STEEL BEAM.

TYPICAL SHEAR WALL DETAIL



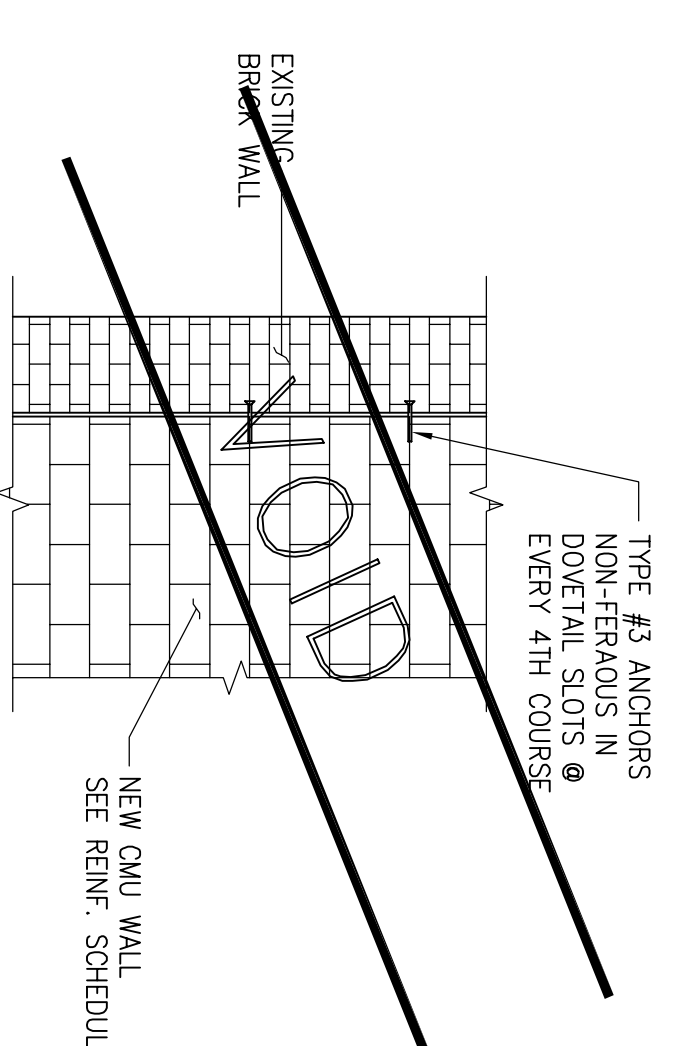
NOTE:
** - COORDINATE DIMENSION WITH FINAL ELEVATOR SHOP DWG.

ELEVATOR SILL DETAIL

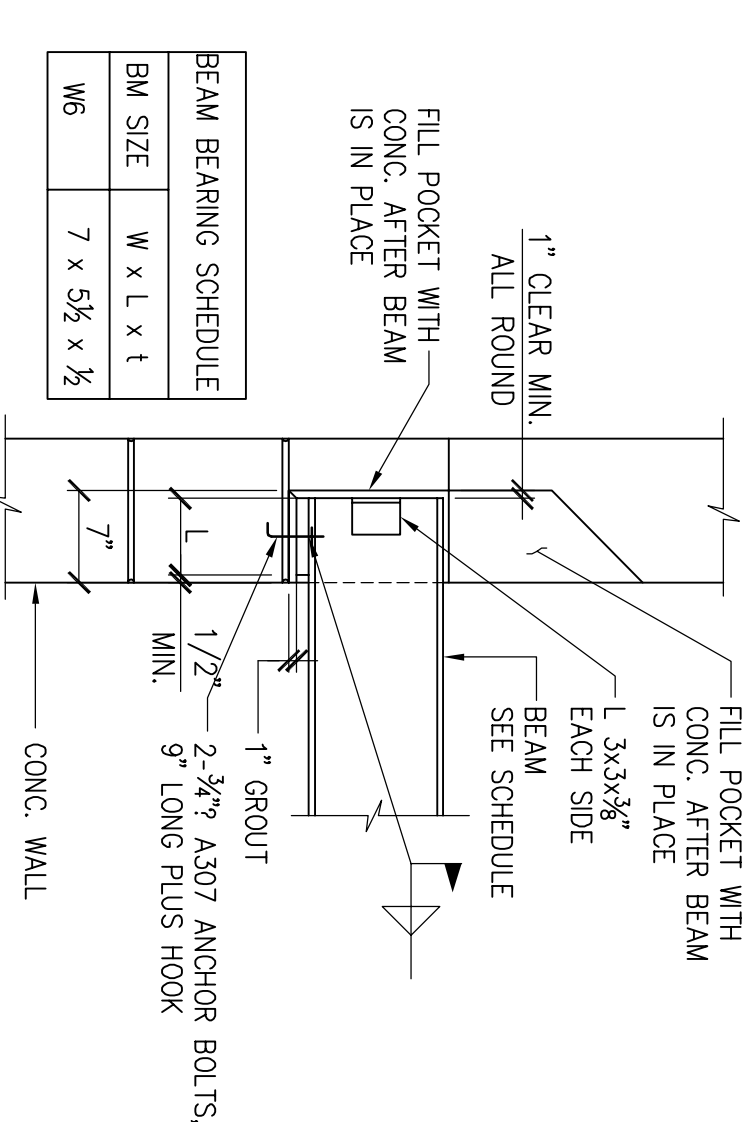


T = 5" TO 7 1/2"	GAGE OF PLATE
UP TO 4"	12
4" TO 8"	12
8" TO 10"	10
10" TO 15"	1/4" STL. R
15" TO 20"	3/8" STL. R

TYPICAL DETAIL AT INTERIOR SLAB EDGE

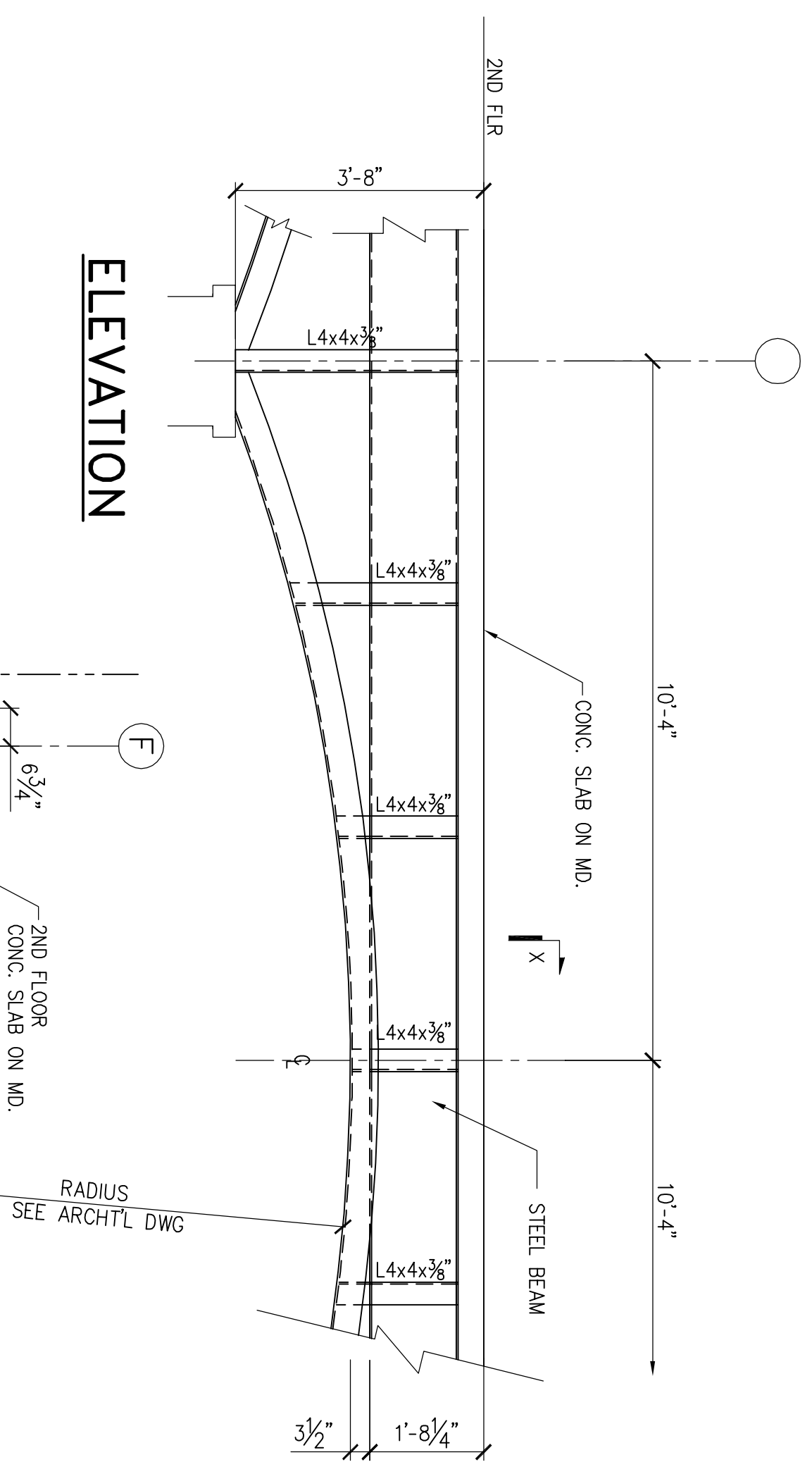


CONNECTION DETAIL FOR NEW & EXISTING WALL

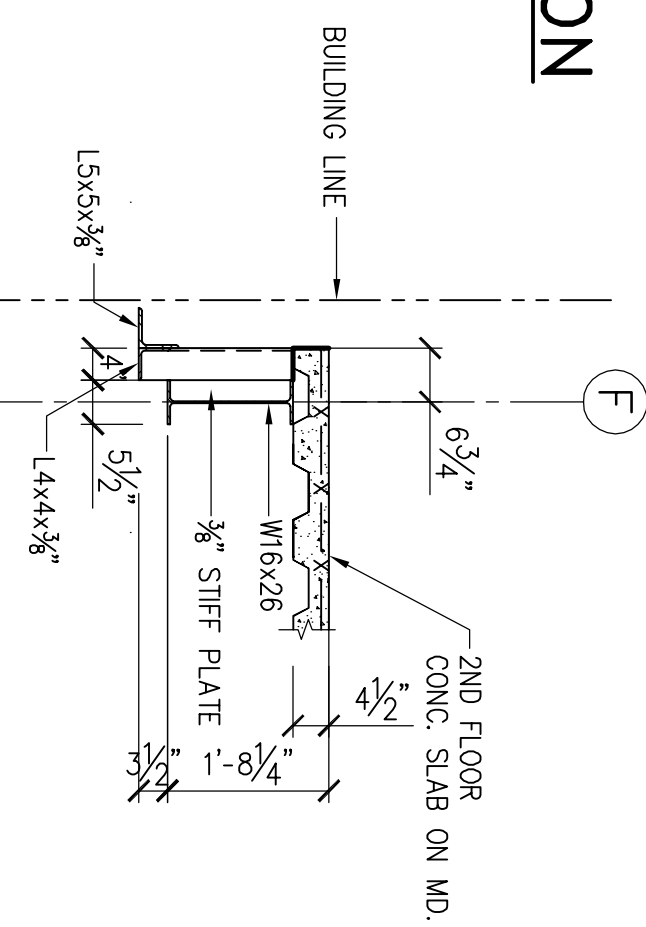


BEAM BEARING SCHEDULE	BM SIZE	W x L x t	WB
		7 x 5 1/2 x 1/2	

TYPICAL BEAM POCKET IN ELEVATOR SHAFT WALL



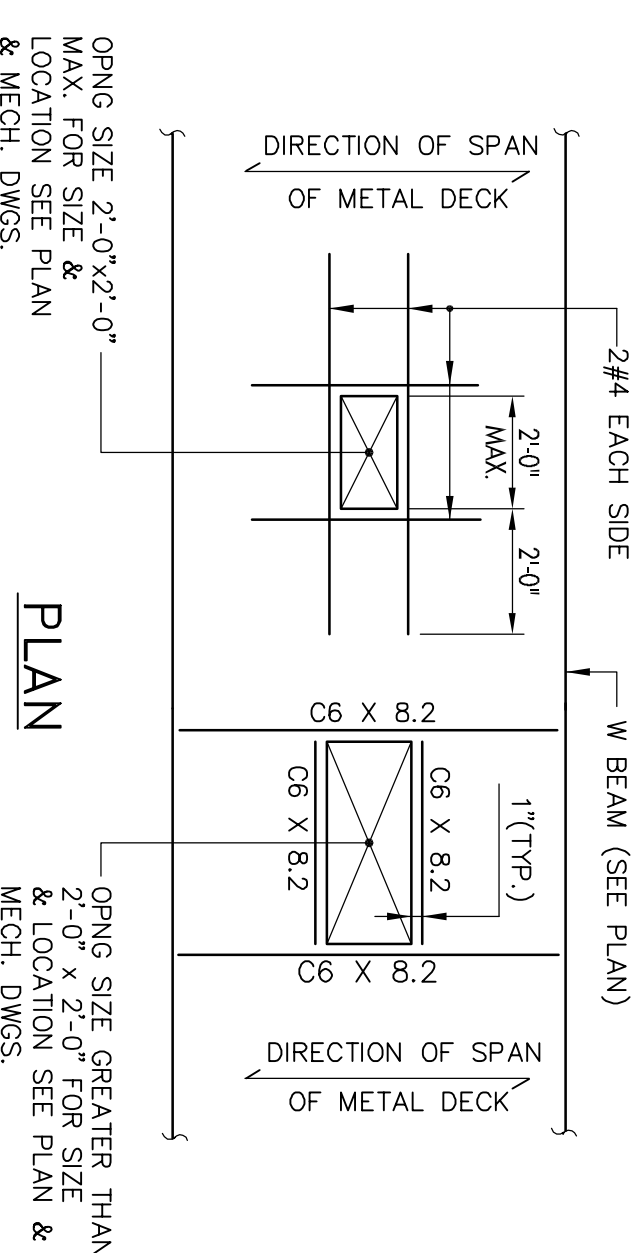
ELEVATION



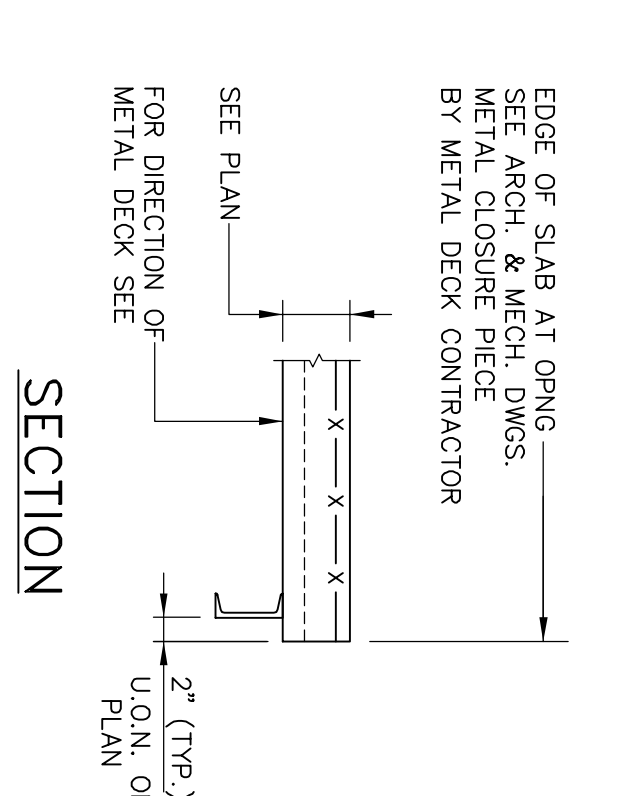
SECTION-X

ARCH TYPICAL FRAMING DETAIL

1/2" = 1'-0"



PLAN



SECTION

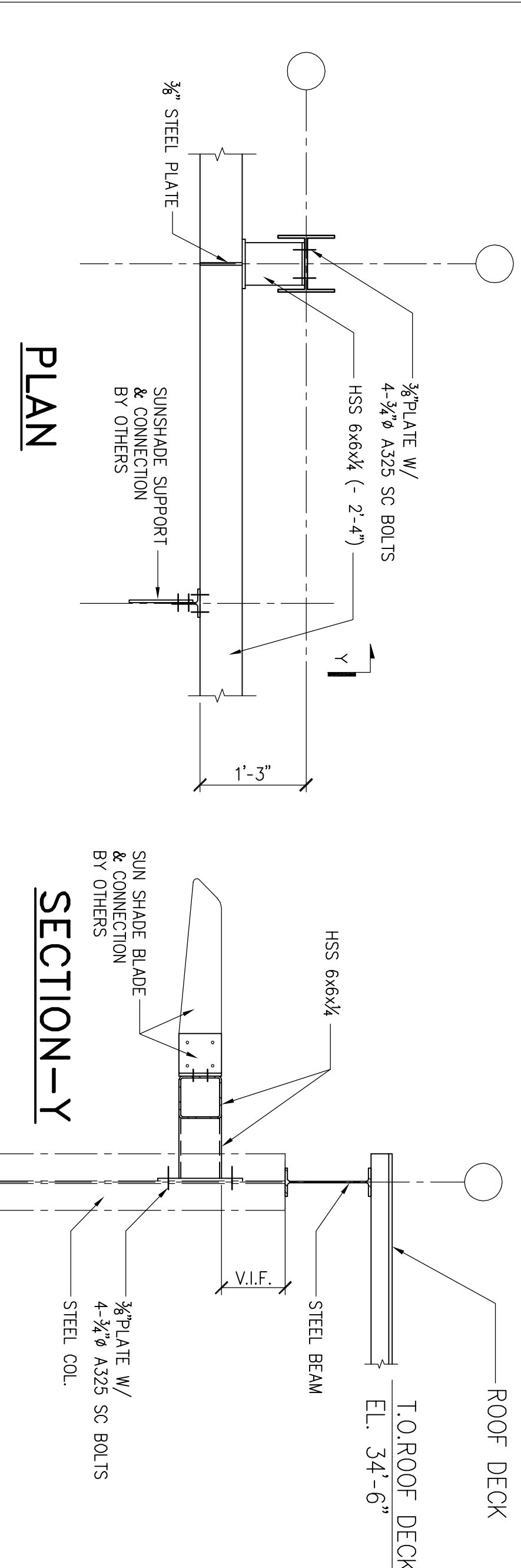
OPNG SIZE 2'-0" x 2'-0" MAX. FOR SIZE & LOCATION SEE PLAN & MECH. DWGS.

NOTES:
1. NO REINF. IS REQUIRED FOR OPENING SIZE LESS THAN 10"x10" IF ALL OF THE FOLLOWING CRITERIA ARE MET:
A. METAL DECK WILL BE CUT AT LEAST 7 DAYS AFTER CASTING OF CONCRETE.
B. THE CLEAR DISTANCE TO THE ADJACENT OPENING OR OPENINGS = 1'-0" OR MORE IN ANY DIRECTION.

2. CLUSTERED OPENINGS THAT DO NOT MEET THE CRITERIA IN NOTE 1. SHALL BE TREATED AS ONE LARGE OPENING, & PROVIDED WITH THE REINF. OR FRAMING PER TYPICAL DETAIL.

FRAMING DETAIL AT OPENING THROUGH SLAB OVER METAL DECK

N.T.S.



PLAN

SECTION-Y

SUNSHADE TYPICAL DETAILS

3/4" = 1'-0"

No.	Date	Revision
07/21/2010		FOR FOUNDATION PERMIT
08/20/2010		FOR FOUNDATION BD
10/14/2010		ISSUED
11/03/2010		ISSUED
12/10/2010		ISSUED
12/20/2010		ISSUED

ADG&K
axis design group international, llc.
7144 Blvd Stee
Newark, NJ 07102
Tel : (201) 292-3800
Fax : (201) 292-3802

Heritage Architecture, LLC
Architecture Design Interiors
352 Evelyn St., Suite 2
Paramus, N.J. 07652
Tel : (201) 292-3800
Fax : (201) 292-3802

Project No.: 1053
Date: June 24, 2010
Drawn By:
Checked By:
Client: DAR - UL ISLAM
Scale: As Noted
Date: **
Block: **

Project: HOUSE OF WORSHIP (MOSQUE)
TWO STORY ADDITION
320 Palmy Terrace
Tombour, NEW JERSEY 07088
Drawing title: TYPICAL DETAILS V

Seal: Amer Islam, PE
NJ Lic. # CE 4537200