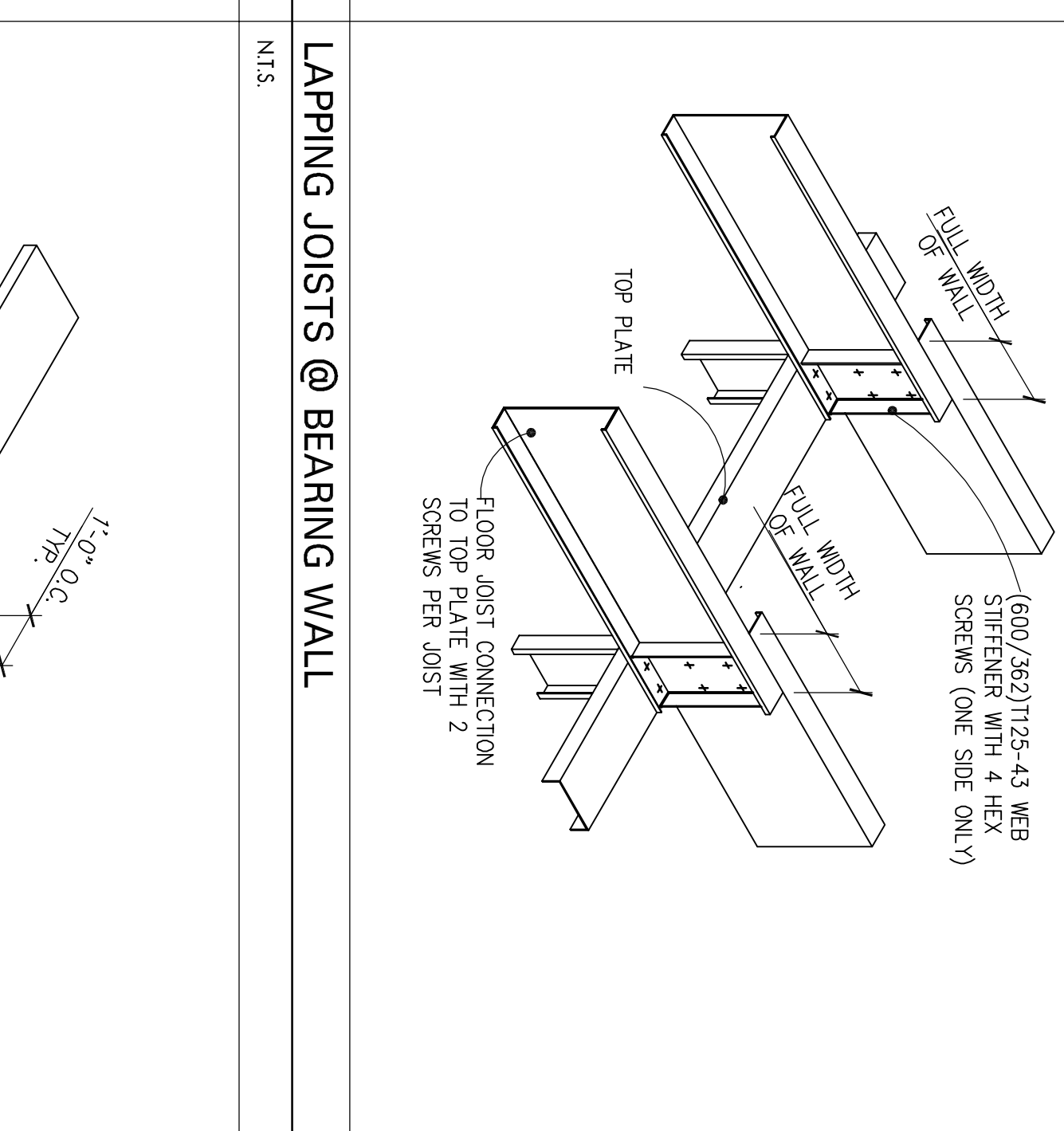
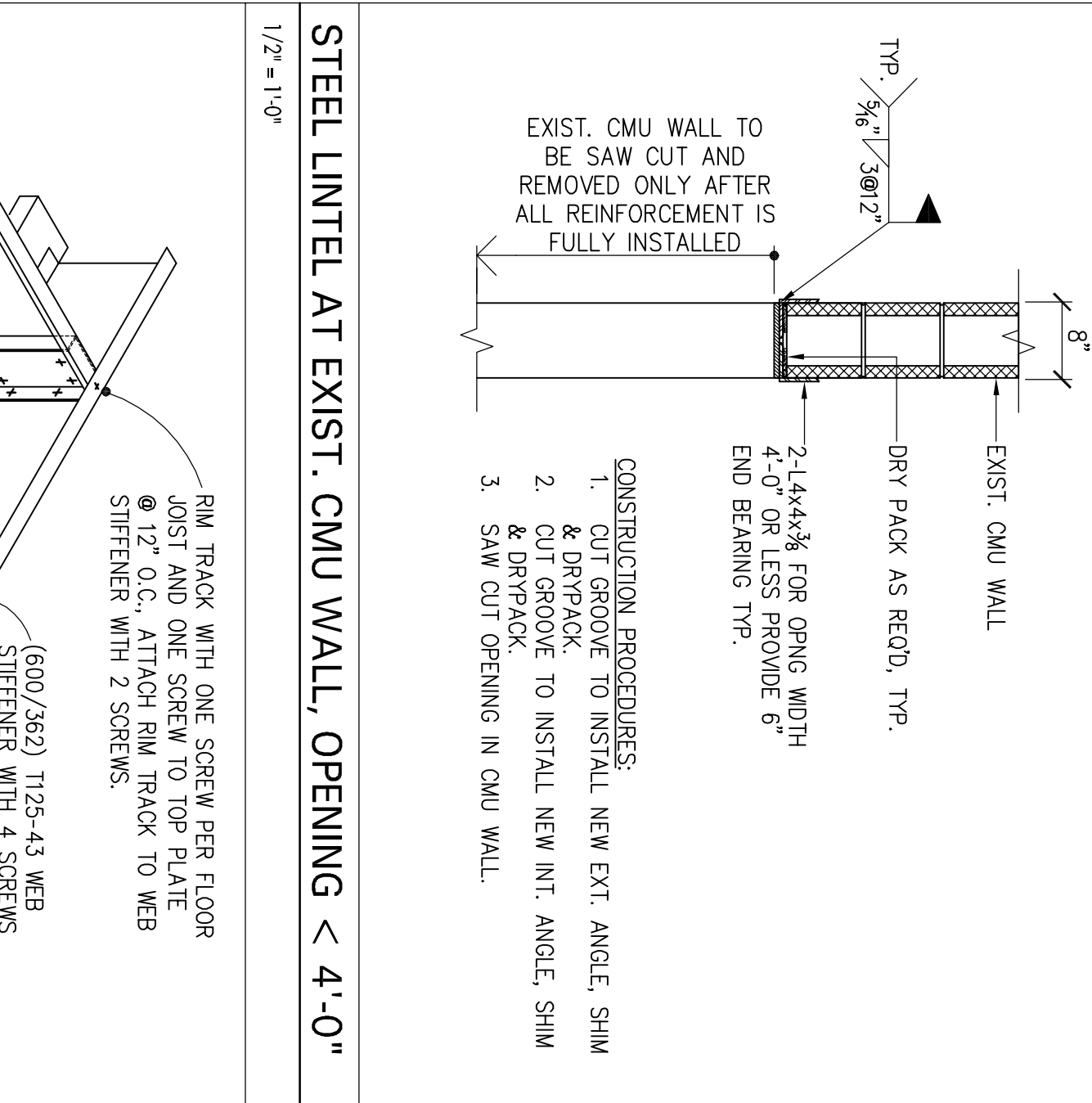
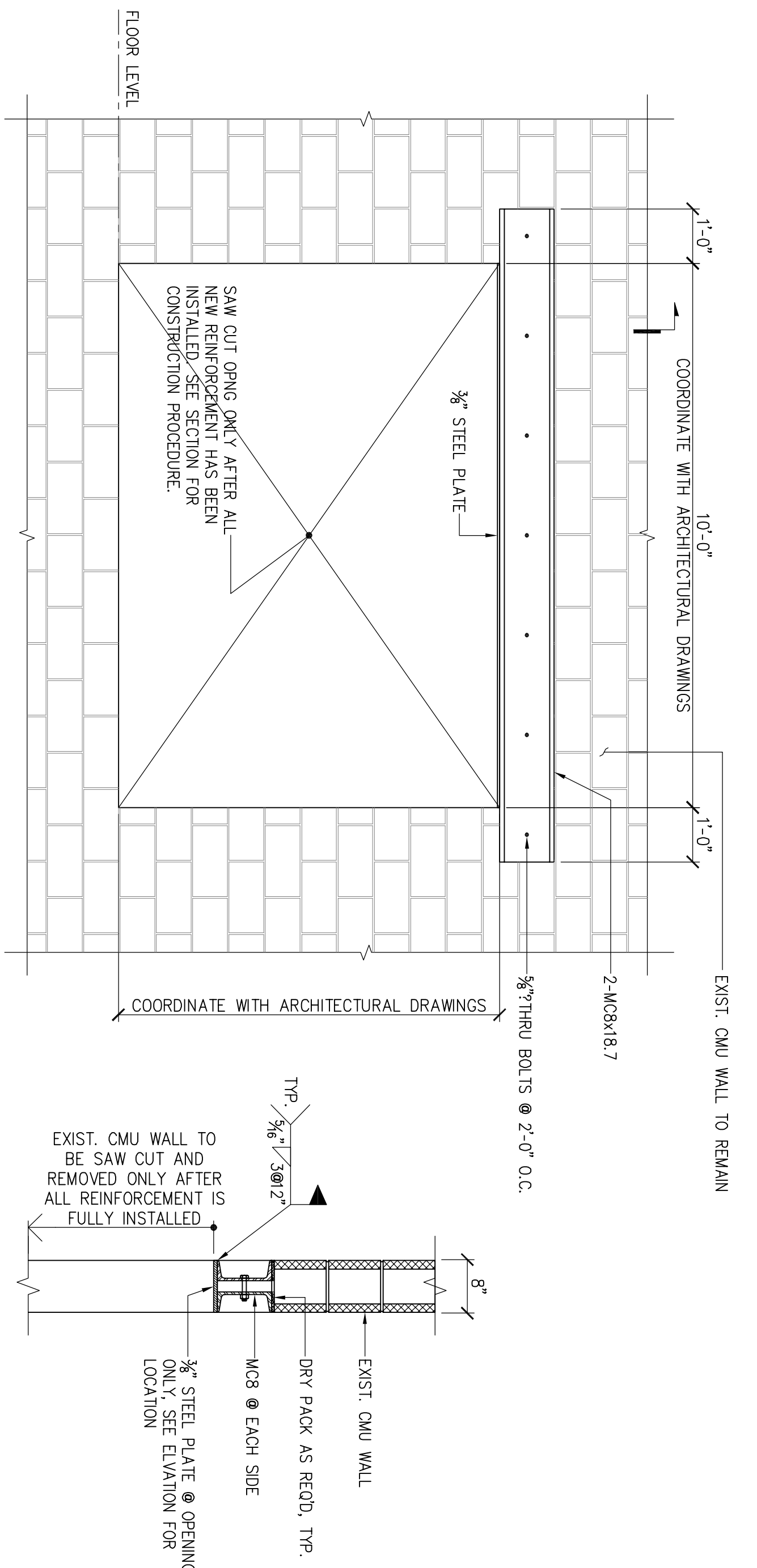


TYPICAL DETAILS

1'-1/2" = 1'-0"

TYP DETAIL OF STL BM BEARING ON POCKET

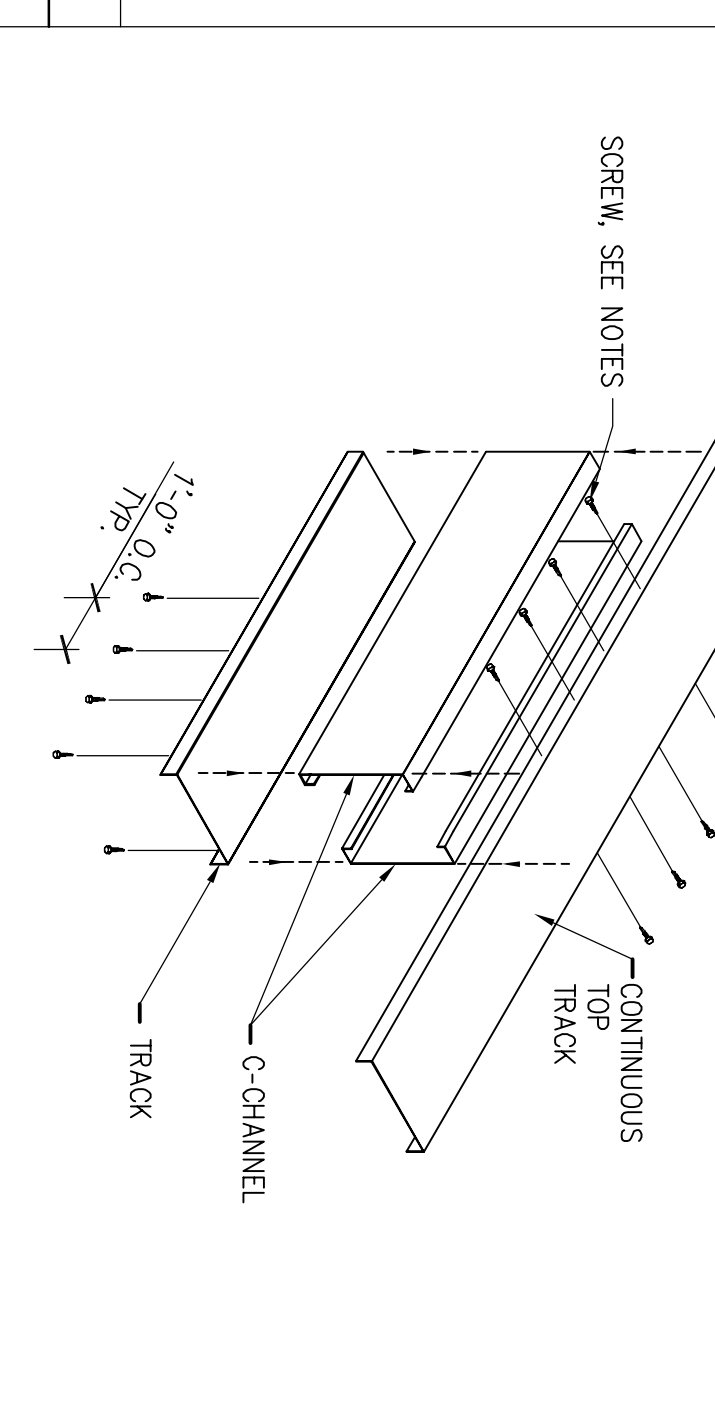
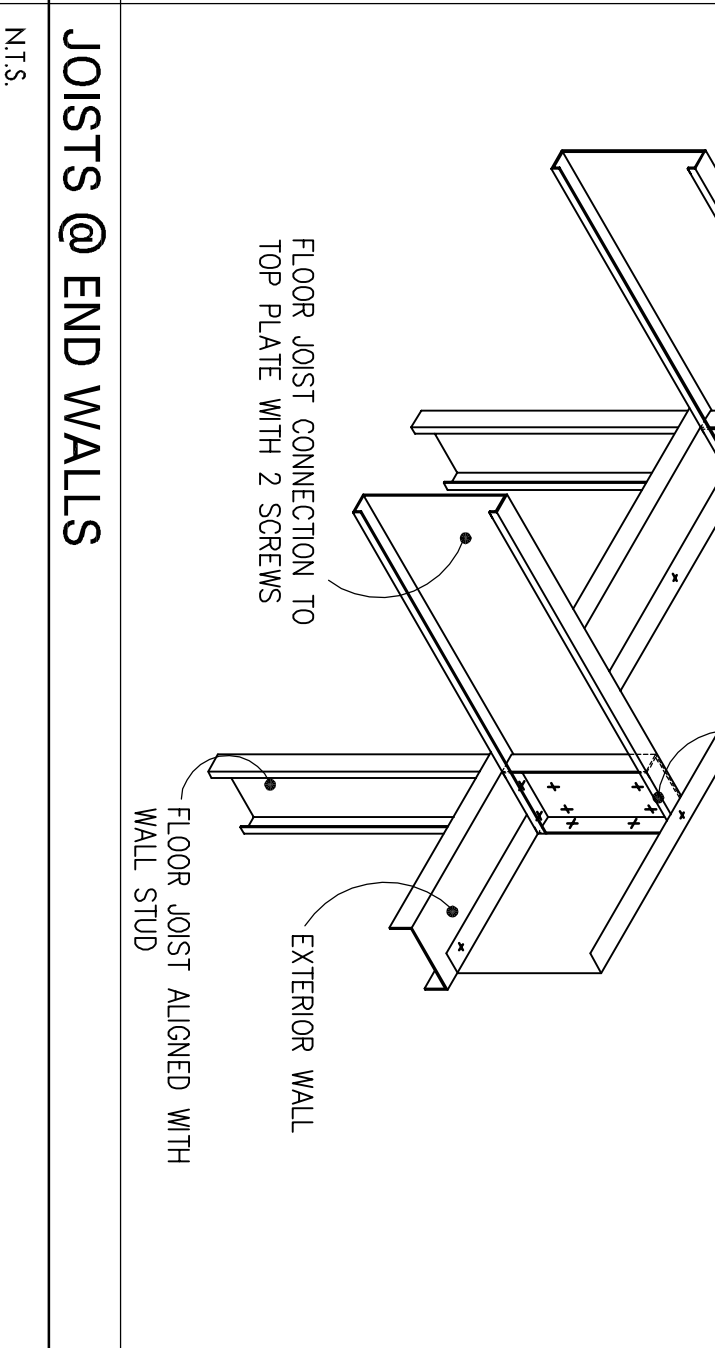
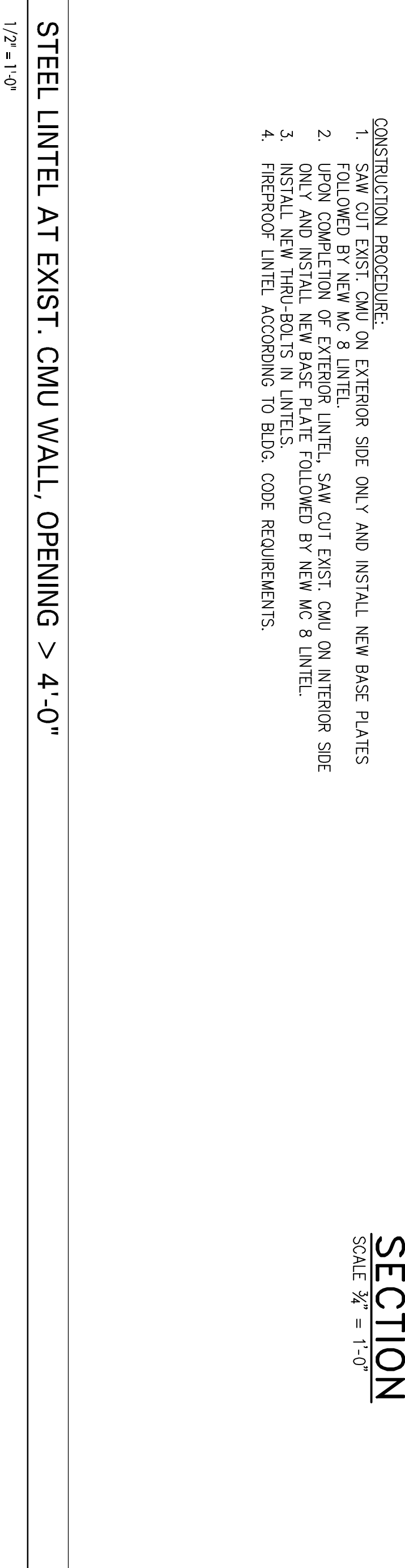
IN EX. CMU WALL



LAPPING JOISTS @ BEARING WALL

1'-0" = 1'-0"

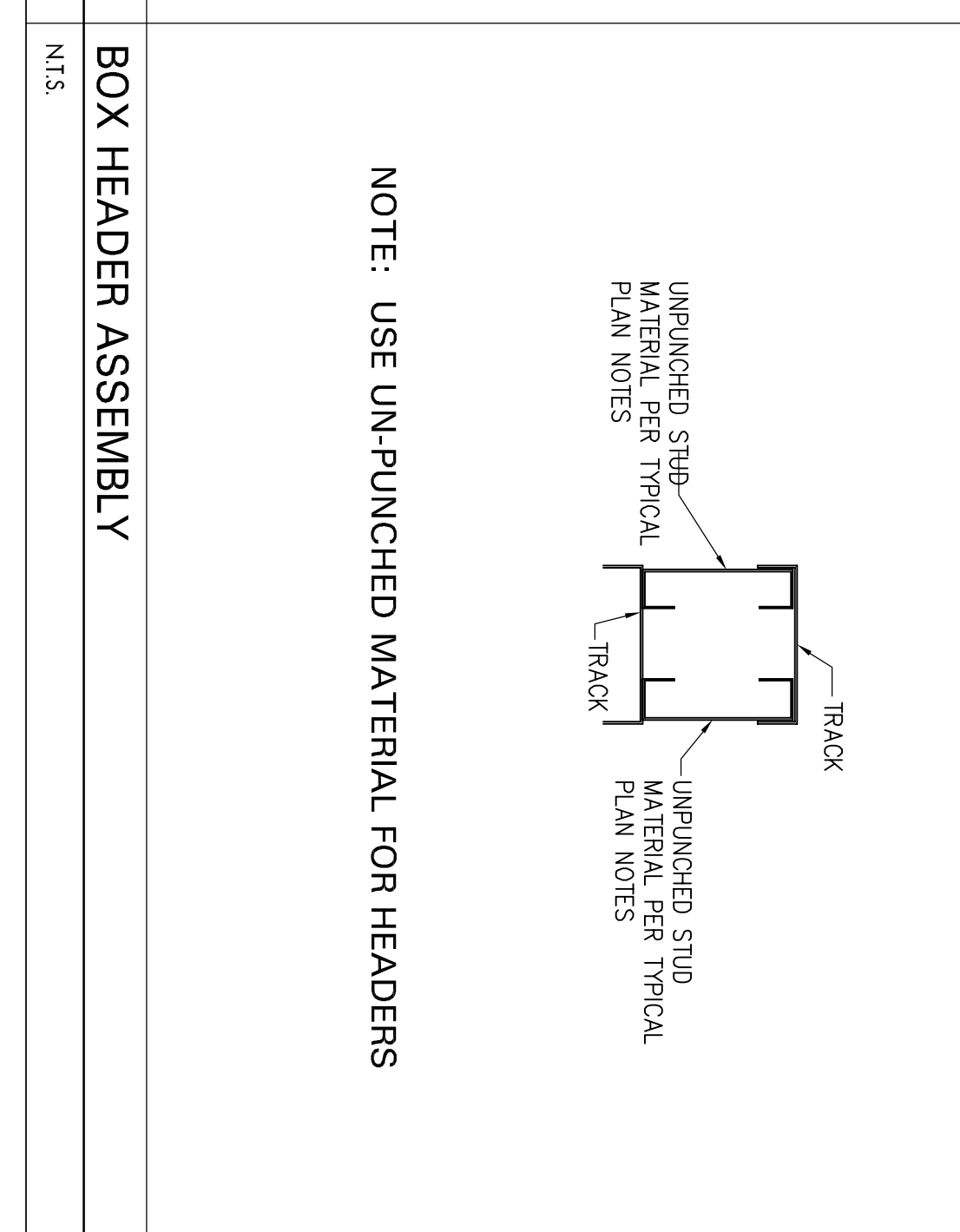
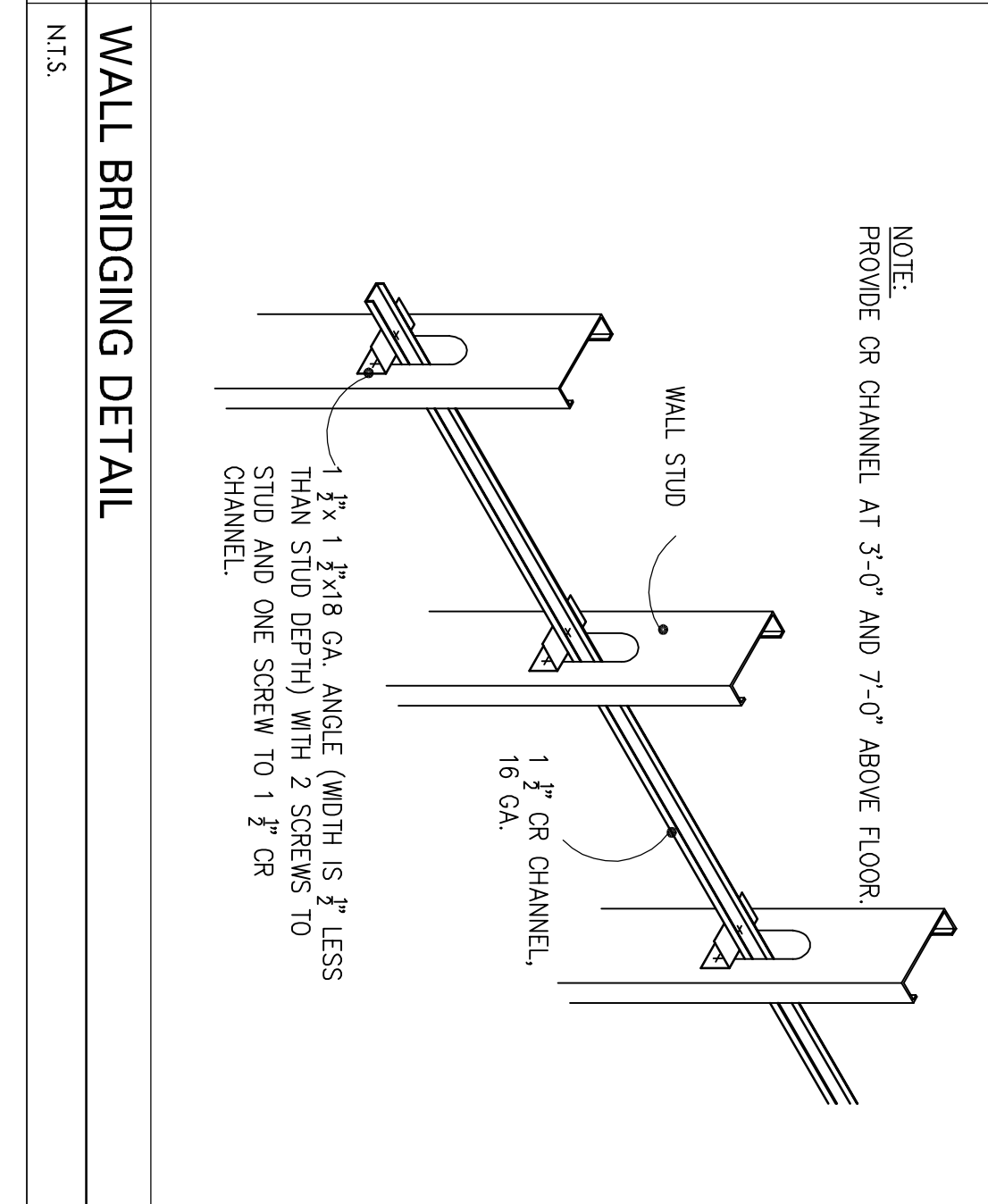
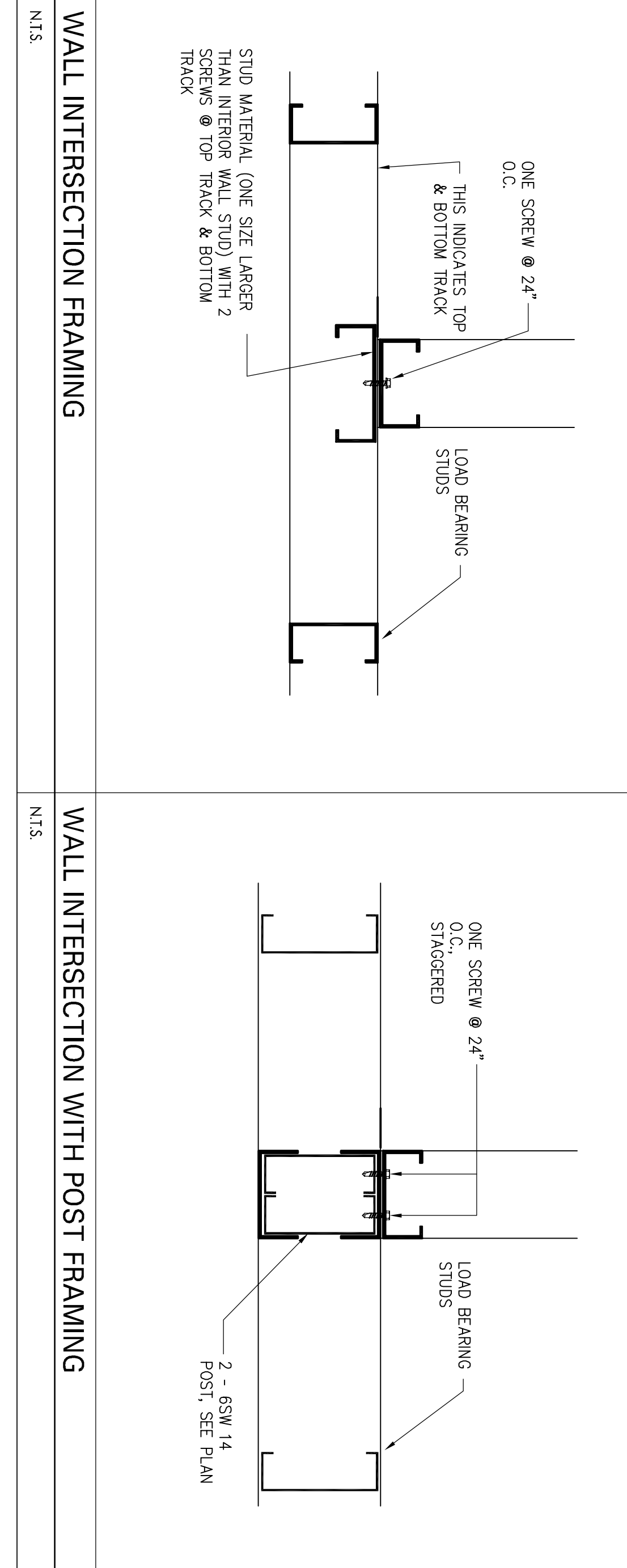
No.	Date	Revision
07/21/2010	07/21/2010	FOR FOUNDATION PERMIT
08/20/2010	08/20/2010	FOR FOUNDATION BD
10/14/2010	10/14/2010	ISSUED
11/03/2010	11/03/2010	ISSUED
12/10/2010	12/10/2010	ISSUED
12/20/2010	12/20/2010	ISSUED



BOX HEADER ASSEMBLY

1'-0" = 1'-0"

NOTE: USE UN-PUNCHED MATERIAL FOR HEADERS



WALL BRIDGING DETAIL

1'-0" = 1'-0"

Heritage Architecture, LLC
 Architecture Design Interiors
 352 Evelyn St., Suite 2
 Paramus, N.Y. 07652
 Tel: (201) 262-3800
 Fax: (201) 262-3802

ADG&K
 axis design group international, llc.
 744 Broad Street
 Newark, NJ 07102
 Tel: 973-262-2878
 Fax: 973-262-2879

AMER ISLAM PE 64497200

HOUSE OF WORSHIP (MOSQUE) TWO STORY ADDITION
 320 Palmy Terrace
 Toms River, NJ 08788
 Client: DAR - UL ISLAM