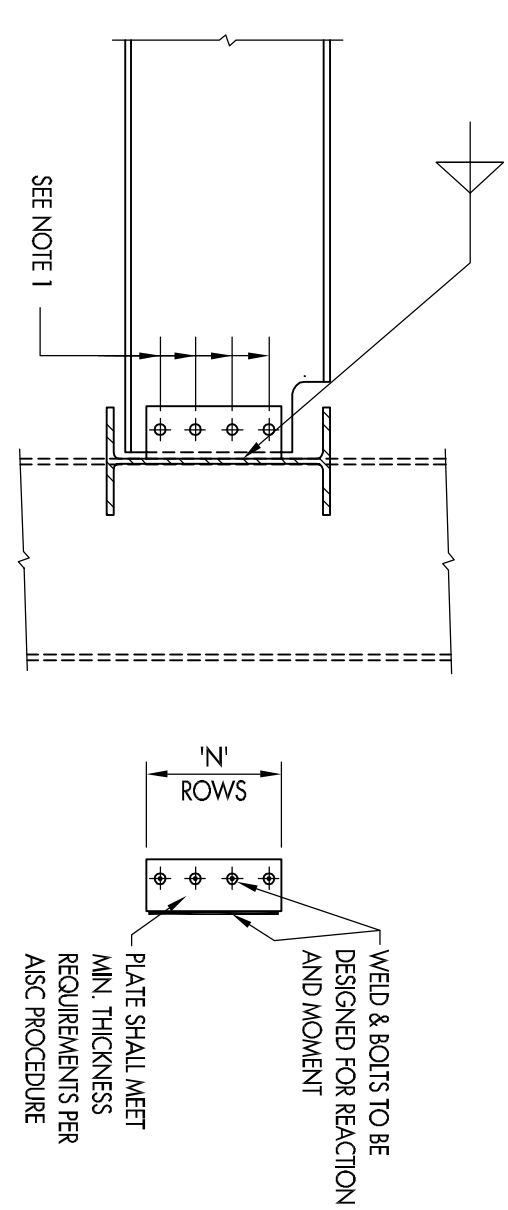


TYPICAL STEEL JOIST DETAILS

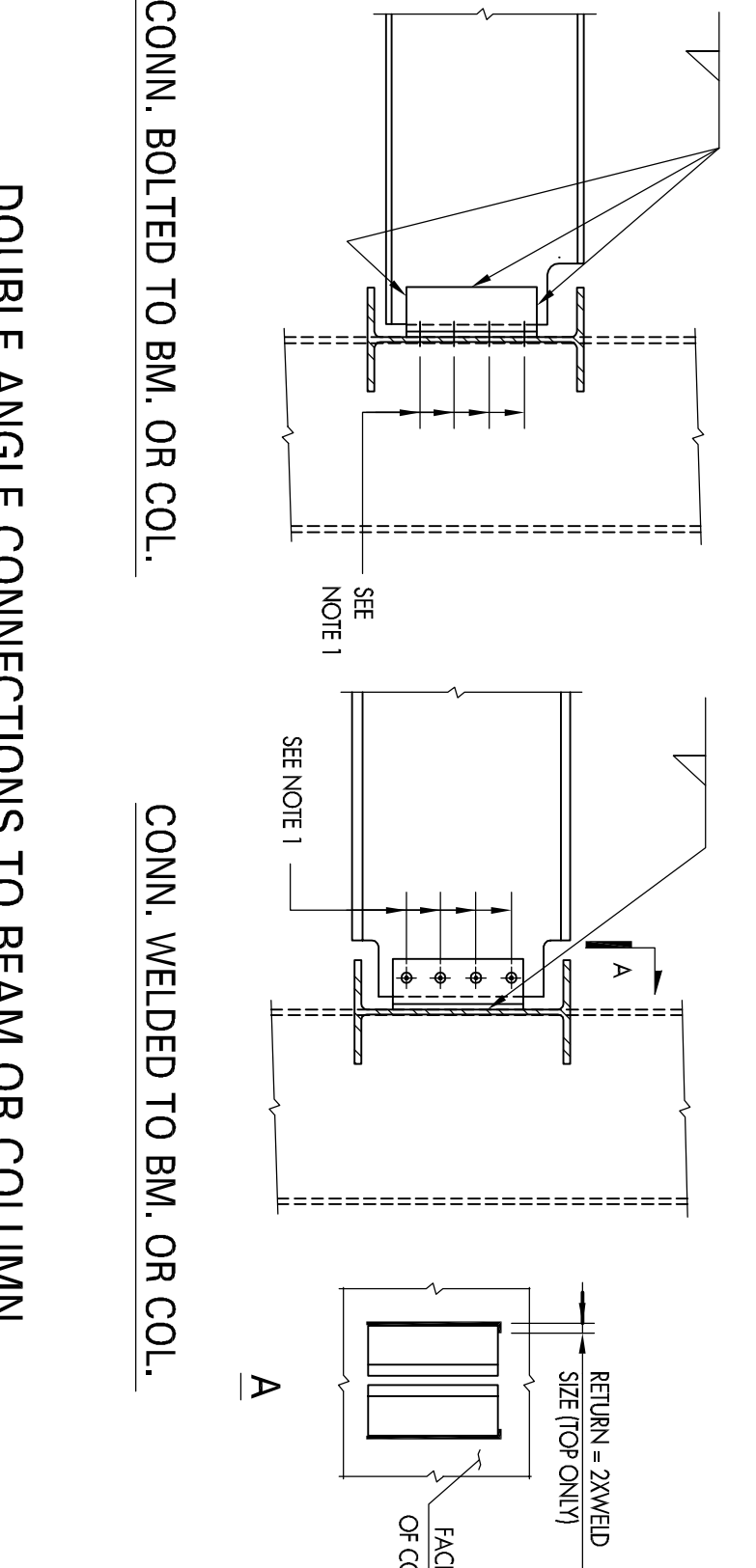
N.T.S.



SHEAR PLATE

SHEAR PLATE CONNECTIONS TO BEAM OR COLUMN  
NOTE: CONN. SIMILAR WHEN CONNECTING TO COLUMN (SHOWN AS DASHED LINE)

- NOTES:
1. SHEAR PLATE CONNECTION MUST BE DESIGNED FOR THE GREATEST OF THE FOLLOWING:
    - A. COMPOSITE BEAMS
    - 2) 1.5  $f_y = 50$  ksi
    - 1) 2.0  $f_y = 50$  ksi
    - B. NON-COMPOSITE BEAMS
    - 1) 1.5  $f_y = 36$  ksi
    - 2) 1.3  $f_y = 36$  ksi
  2. REACTIONS INDICATED ON DRAWINGS.
  3. BOLTS SHALL BE 3/4" Ø A325 BOLTS (MINIMUM U.O.N.)
  4. PROVIDE WEB REINFORCING WHERE REQUIRED DUE TO WEB CUT FOR CONNECTIONS.
  5. ALL BEAM TO COLUMN BOLTED SHEAR CONNECTIONS TO USE "SUPER-CRITICAL" BOLTS FOR ADDITIONAL REQUIREMENTS. SEE GENERAL NOTES.



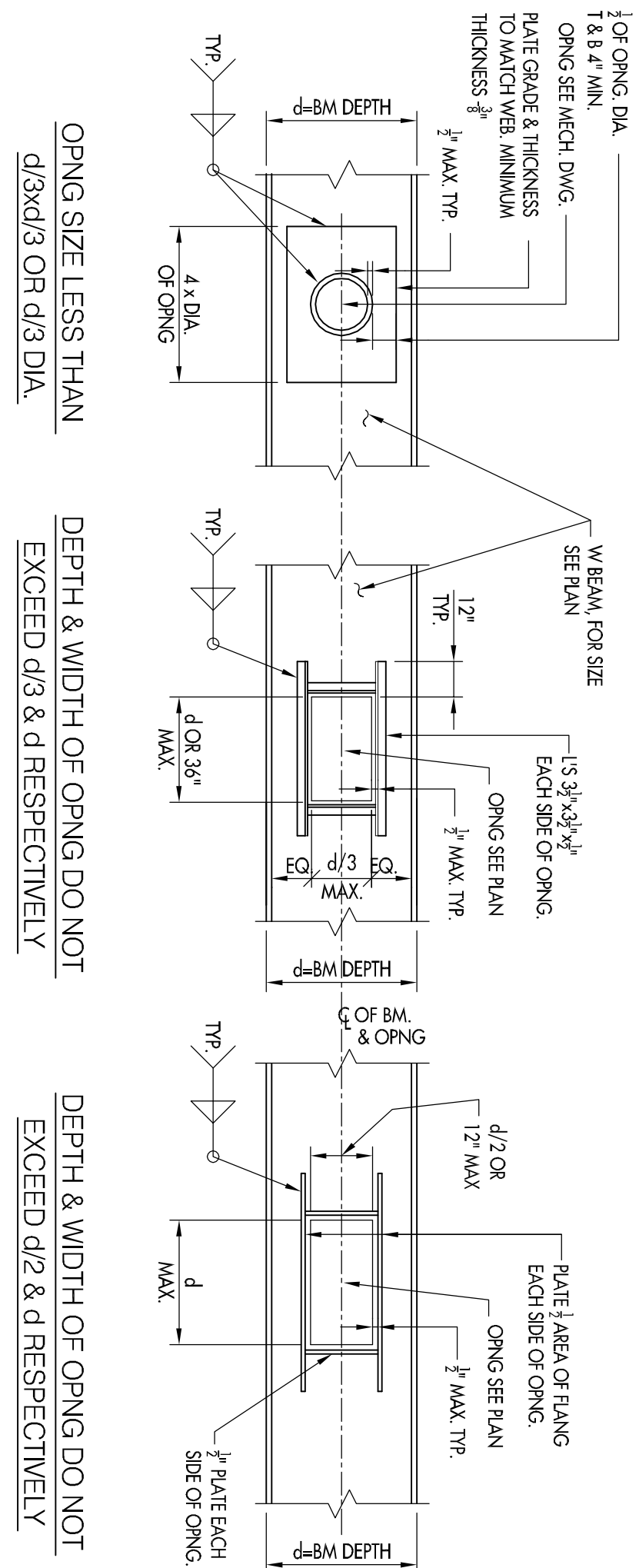
DOUBLE ANGLE CONNECTIONS TO BEAM OR COLUMN

NOTE: CONN. SIMILAR WHEN CONNECTING TO COLUMN (SHOWN AS DASHED LINE)

SCHEDULE	
BEAM SIZE	NO. OF BOLTS
W24	7
W21	6
W18	5
W16	4
W14	3
W12	3
W10	3
W8	2
W6	2

TYPICAL SHEAR CONNECTION DETAILS

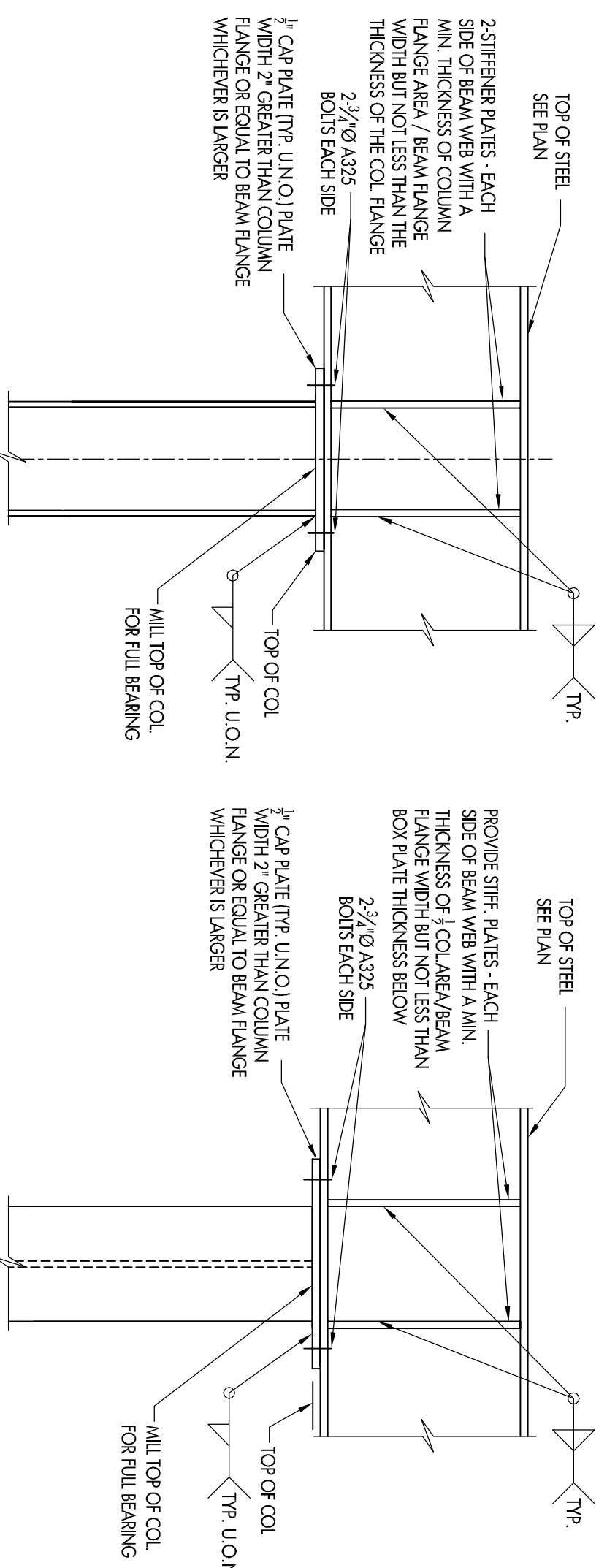
N.T.S.



- NOTES:
1. FOR SIZE OF OPNGS SEE MECH. DWG.
  2. WEB REIN. NEED NOT BE PROVIDED FOR OPNGS SIZE SMALLER THAN 3"x3" OR 3" DIA.
  3. USE THIS DETAIL ONLY FOR LOCATIONS AND SIZES OF OPENINGS SHOWN ON PLAN.
  4. WELD REINFORCING PLATES TO BEAM WEB SUBSEQUENTLY TO DRILL/CHOP THEIR FULL CAPACITY AT 0.66 F<sub>y</sub> S.T. STRESS AT EACH END WITHIN LENGTH, AND EXTEND SAME WELD SIZE CONTINUOUS ACROSS THE ENTIRE OPENING.
  5. ALL OPENINGS SHALL BE CENTERED ON BEAM DEPTH UNLESS SHOWN OTHERWISE.
  6. GRADE OF STEEL FOR PLATES TO BE SAME AS THAT OF BM.
  7. CENTER OPENINGS BETWEEN FILLER BEAMS UNLESS OTHERWISE SHOWN.

TYPICAL BEAM OPENING DETAIL

N.T.S.



COLUMN WEB PARALLEL TO BEAM WEB

COLUMN WEB PERPENDICULAR TO BEAM WEB

TYPICAL CONNECTION DETAIL OF BEAM RUNNING OVER COLUMN

No.	Date	Revision
07/21/2010		FOR FOUNDATION PERMIT
08/20/2010		FOR FOUNDATION BD
10/14/2010		ISSUED
11/03/2010		ISSUED
12/10/2010		ISSUED
12/20/2010		ISSUED

**ADG&K**  
axis design group international, llc.  
744 Broad Street  
Newark, NJ 07102  
Tel: (201) 292-3800  
Fax: (201) 292-3802

**Heritage Architecture, LLC**  
Architecture Design Interiors  
352 Evelyn St., Suite 2  
Paramus, N.J. 07652  
Tel: (201) 292-3800  
Fax: (201) 292-3802

Project No.: 1053  
Date: June 24, 2010  
Drawn By: [Name]  
Checked By: [Name]  
Client: DAR - UL ISLAM  
Drawing title: TYPICAL DETAILS III

Scale: As Noted  
Block: \*\*  
Sheet: S-7  
Drawing No.: [Number]  
Admir Islam, PE  
N.J. Lic. # CE 4537200