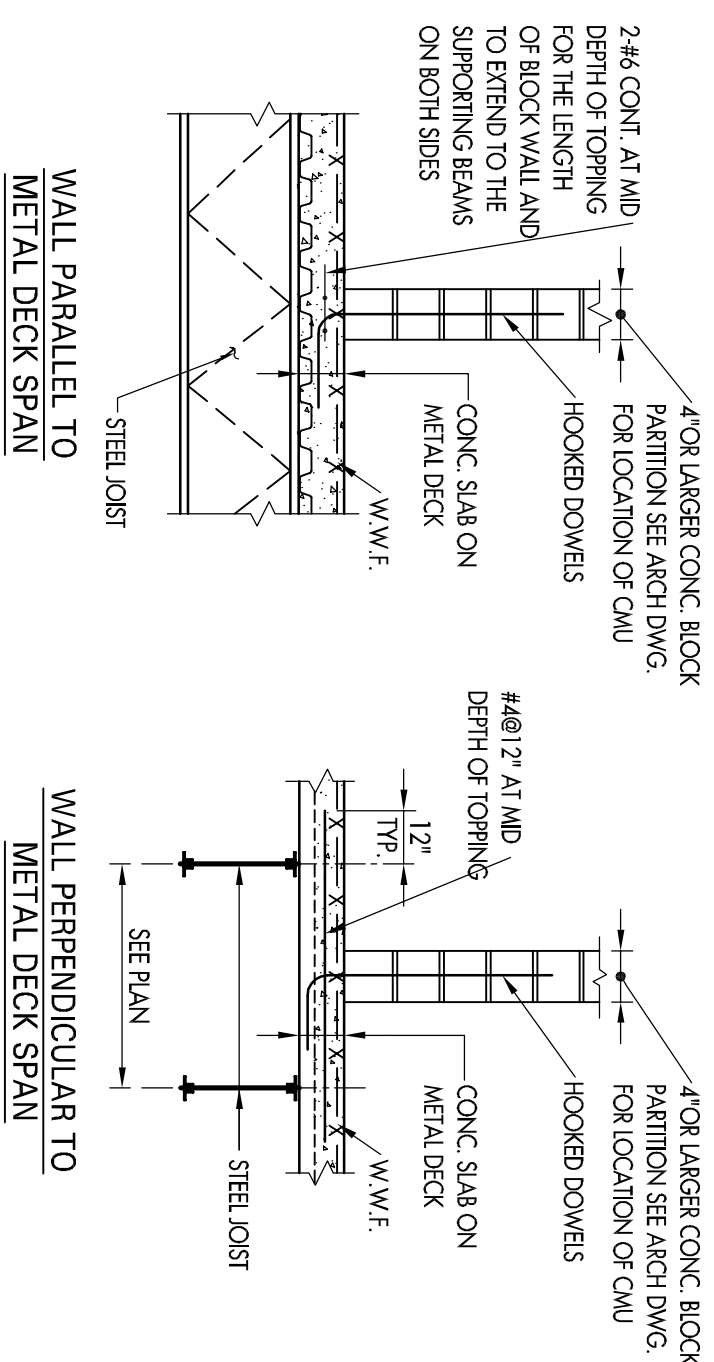


1. NO REINFC IS REQUIRED FOR OPENING SIZE LESS THAN 10\"/>

TYPICAL FRAMING AT SLAB OPENING DETAIL

N.T.S.

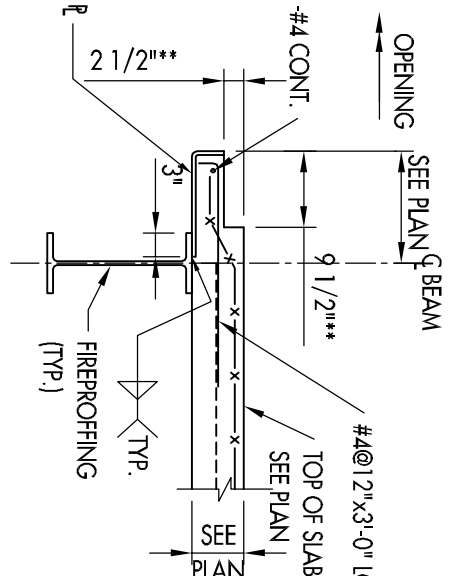


TYPICAL DETAIL OF CMU WALL BEARING ON METAL DECK

N.T.S.

TYPICAL ELEVATOR SILL DETAIL

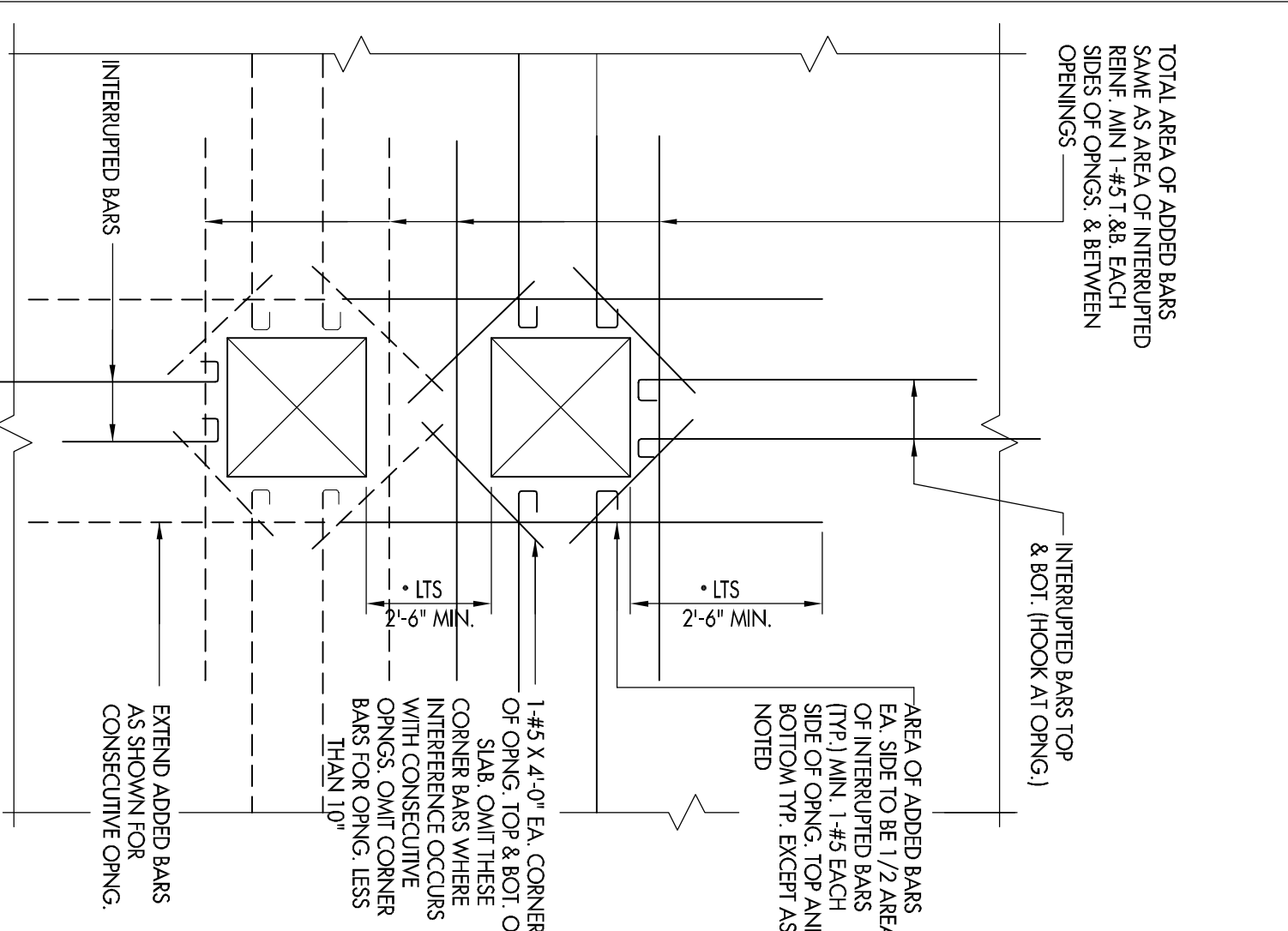
N.T.S.



NOTE: ** DOWELS VERIFY WITH ABOVE ELEVATOR SHOP DWGS.

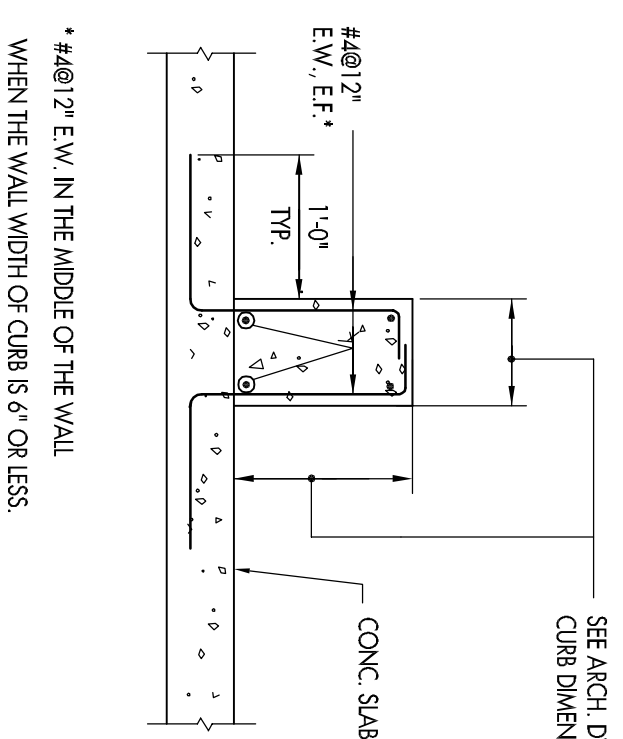
TYPICAL EXTERIOR COLUMN & PILE CAP DETAIL

N.T.S.



TYPICAL CONCRETE CURB DETAIL

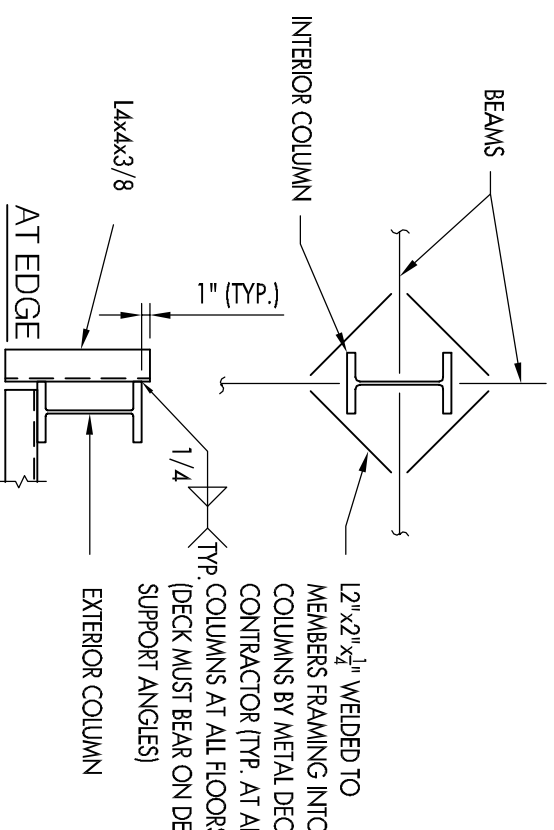
N.T.S.



* #4@12" E.W. IN THE MIDDLE OF THE WALL WHEN THE WALL WIDTH OF CURB IS 6" OR LESS.

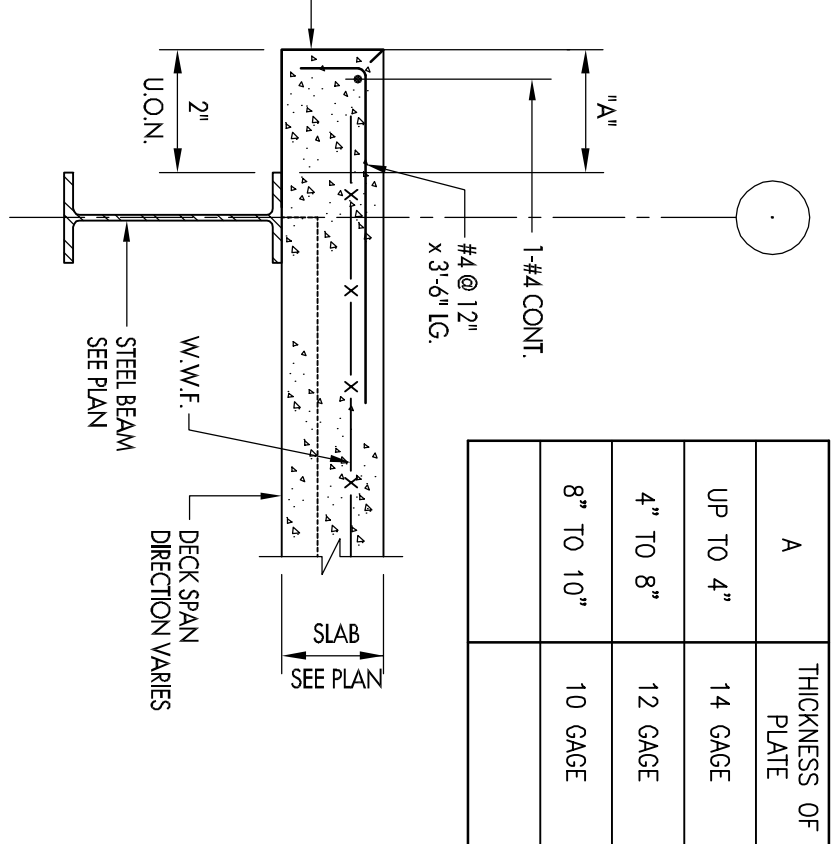
TYPICAL METAL DECK SUPPORT AT COLUMN

N.T.S.



TYPICAL DETAIL AT SLAB EDGE

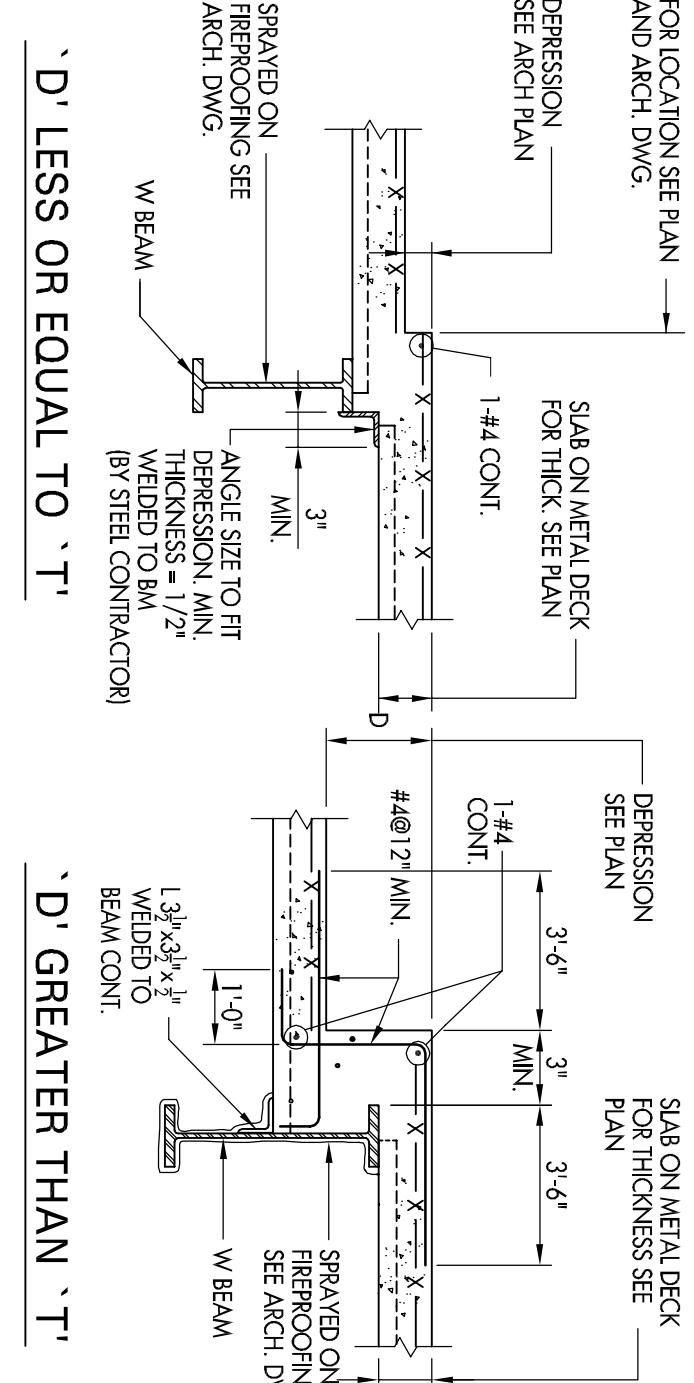
N.T.S.



A	THICKNESS OF PLATE
UP TO 4"	14 GAGE
4" TO 8"	12 GAGE
8" TO 10"	10 GAGE

TYPICAL DETAIL OF DEPRESSION ON SLAB ON METAL DECK

N.T.S.



'D' LESS OR EQUAL TO 'T'

'D' GREATER THAN 'T'

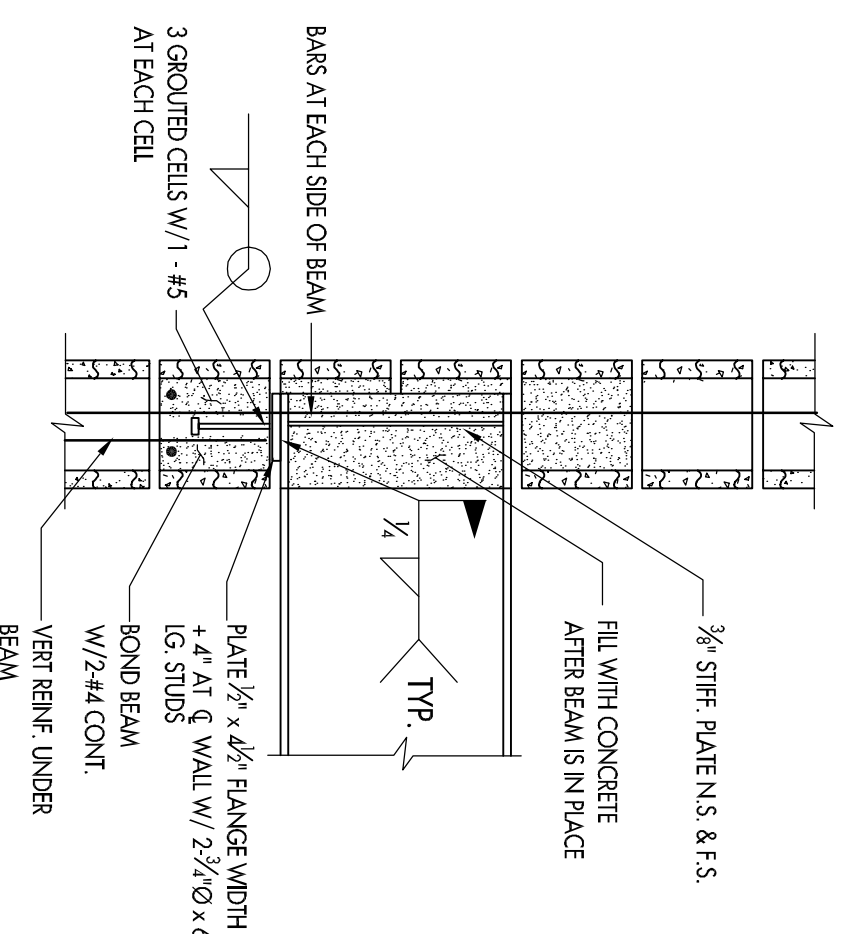
REINFC. AT SLAB OPENING

N.T.S.

- OMIT ADDED BARS WHERE EACH DIMENSION OF ORNG IS 10" OR LESS. RUN NORMAL SLAB REINFC. BY SIDE OF ORNG.
- WHERE ORNGINGS ARE NEAR OR AGAINST EXTERIOR BEAMS OR COLUMNS & ADDED REINFORCING CAN'T BE EXTENDED TO REQUIRED LENGTH, HOOK ADDED BARS.
- * ITS SEE SCHEDULE OF EMBLEMENT & SPICE LENGTHS.

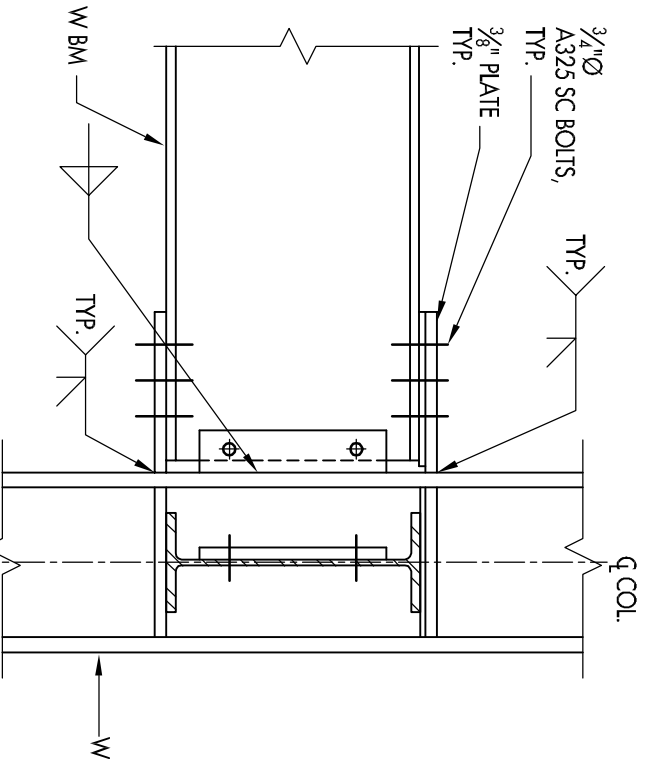
TYPICAL DETAIL OF STEEL BEAM BEARING ON CMU WALL

N.T.S.



TYPICAL MOMENT CONNECTION DETAILS

N.T.S.



- WELDS AND BOLTS FOR MOMENT CONNECTION MUST DEVELOP A MINIMUM MOMENT AS SHOWN ON PLAN IN SERVICE LOAD.
- IF THE MOMENT IS NOT SHOWN ON PLAN, MOMENT CONNECTION MUST DEVELOP A MINIMUM 50% OF FULL BEAM MOMENT CAPACITY.
- MOMENT CONNECTION IN WIND DIRECTIONS SEE WIND BACKING ELEVATIONS AND DETAILS ON S7.
- WELD MAY BE SUBSTITUTED FOR BOLTS UPON APPROVAL BY ENGINEER OF AN EQUIVALENT DETAIL.
- REMOVE WEB REINFORCING WHERE REQUIRED DUE TO WEB CUT FOR CONNECTIONS.
- SEE TYPICAL SHEAR CONNECTION DETAIL.

TYPICAL DETAIL OF DEPRESSION ON SLAB ON METAL DECK

N.T.S.

No.	Date	Revision
07/21/2010	FOR FOUNDATION REINFC	
08/20/2010	FOR FOUNDATION BD	
10/14/2010	ISSUED	
11/03/2010	ISSUED	
12/10/2010	ISSUED	
12/20/2010	ISSUED	

ADG&K
axis design group international, llc.
7144 Brand Street
Newark, NJ 07102
Tel : (201) 292-3800
Fax : (201) 292-3802

Heritage Architecture, LLC
Architecture Design Interiors
3552 Evelyn St., Suite 2
Paramus, N.J. 07652
Tel : (201) 292-3800
Fax : (201) 292-3802

Project No: 10553
Date: June 24, 2010
Drawn By: 520 Palmyr Terrace
Checked By: Client: DAR - UL ISLMH
Scale: As Noted
Title: **TYPICAL DETAILS II**

Author: Amner Islam, PE
N.J. Lic. # CE 4537200
Drawing No: **S-6**
© Heritage Architecture, LLC