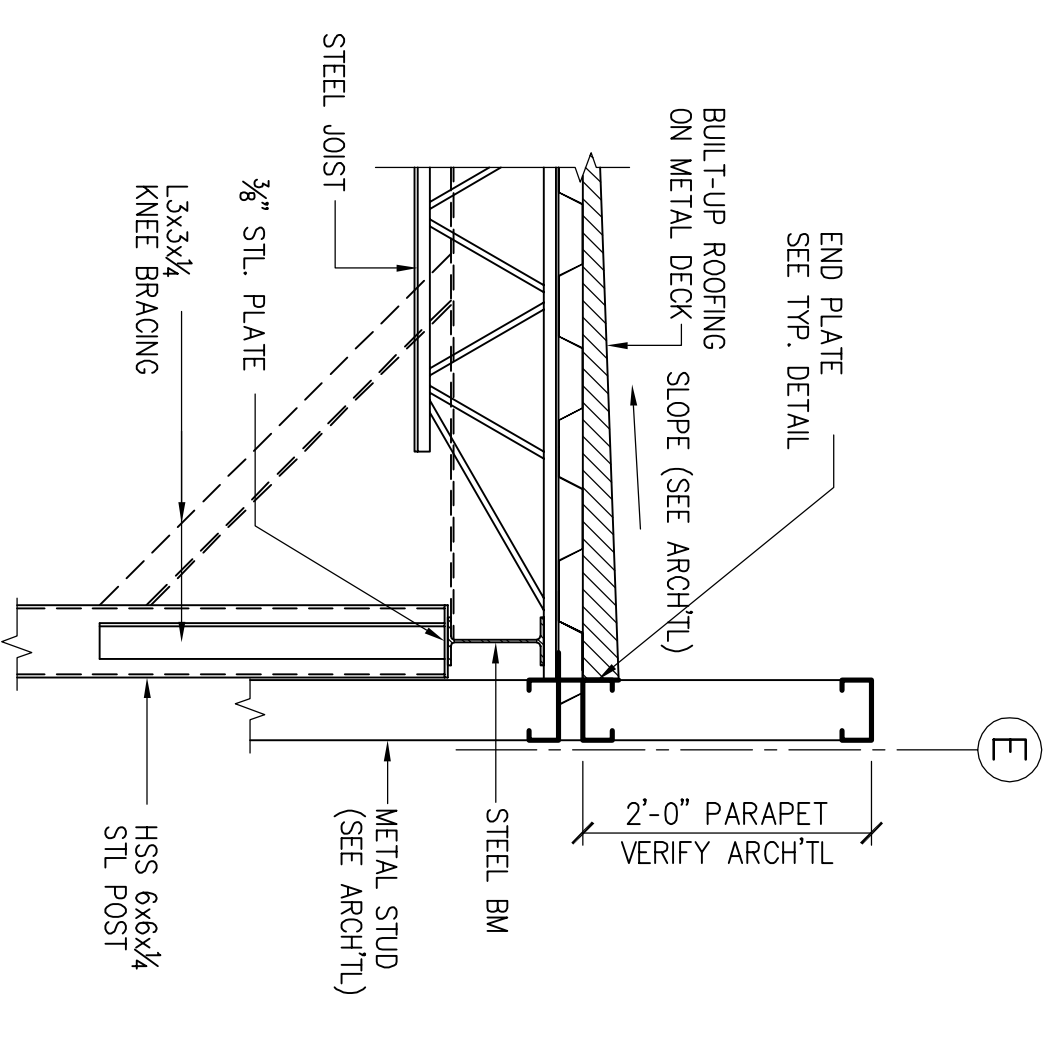
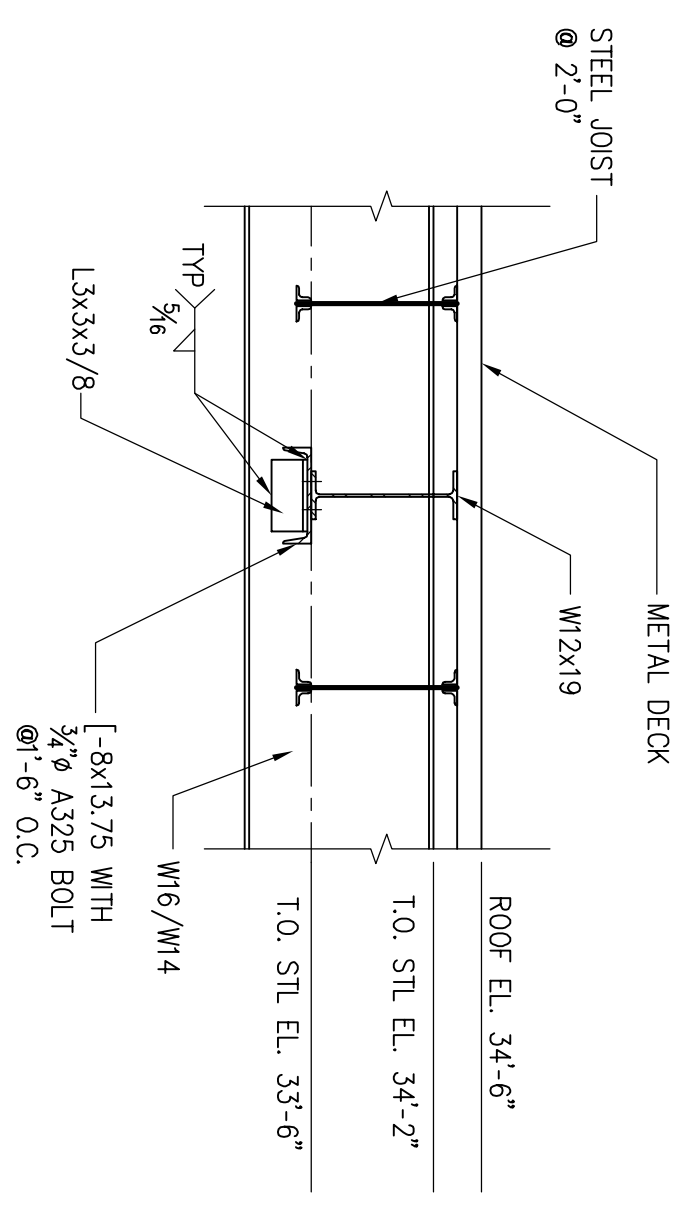


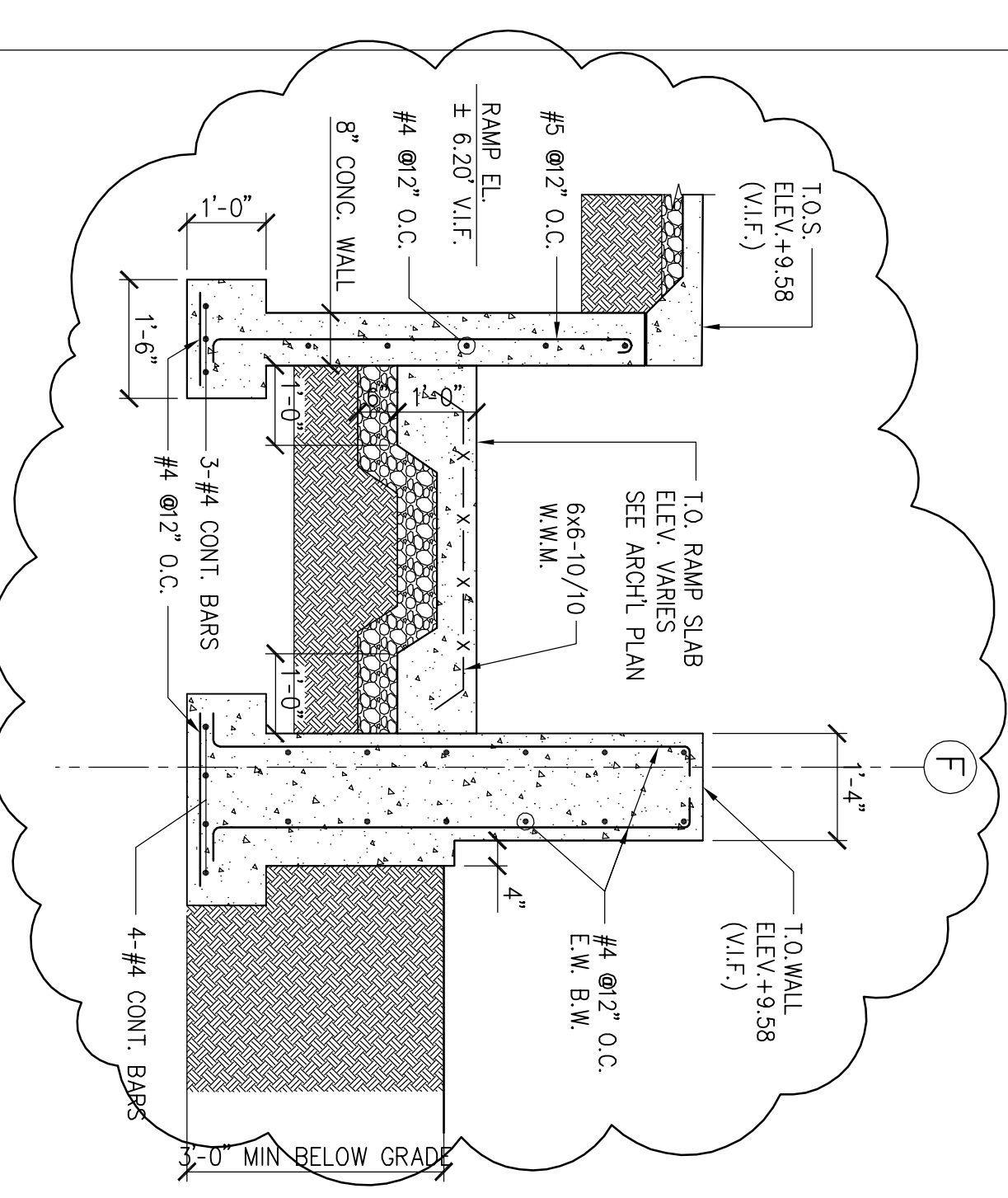
SECTION 24  
1/2" = 1'-0"



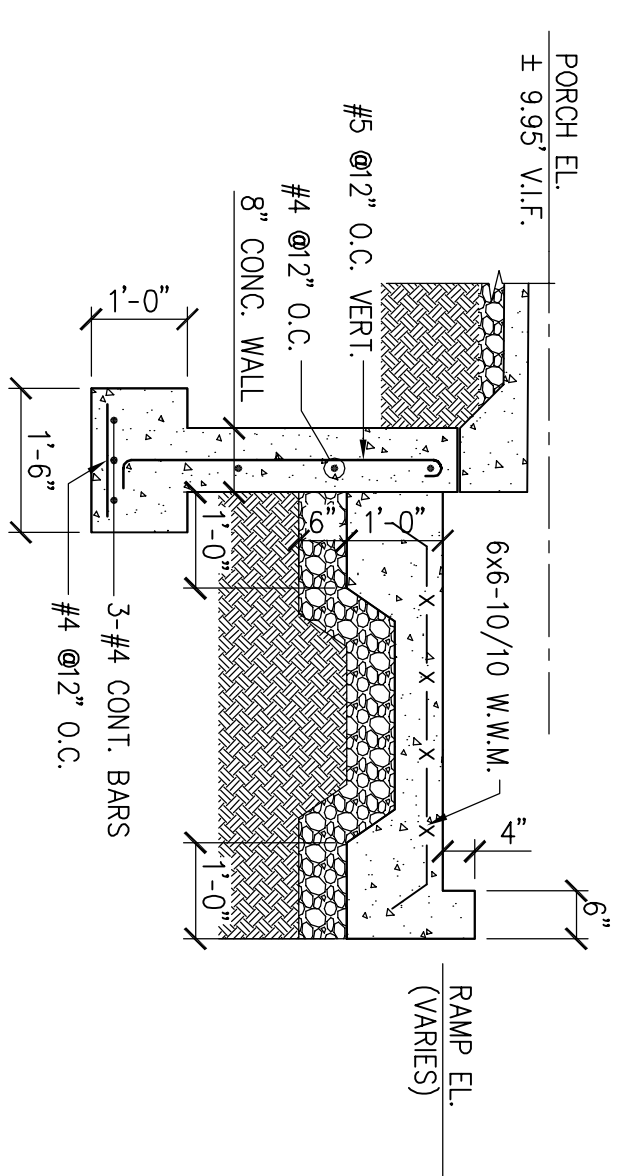
SECTION 25  
3/4" = 1'-0"



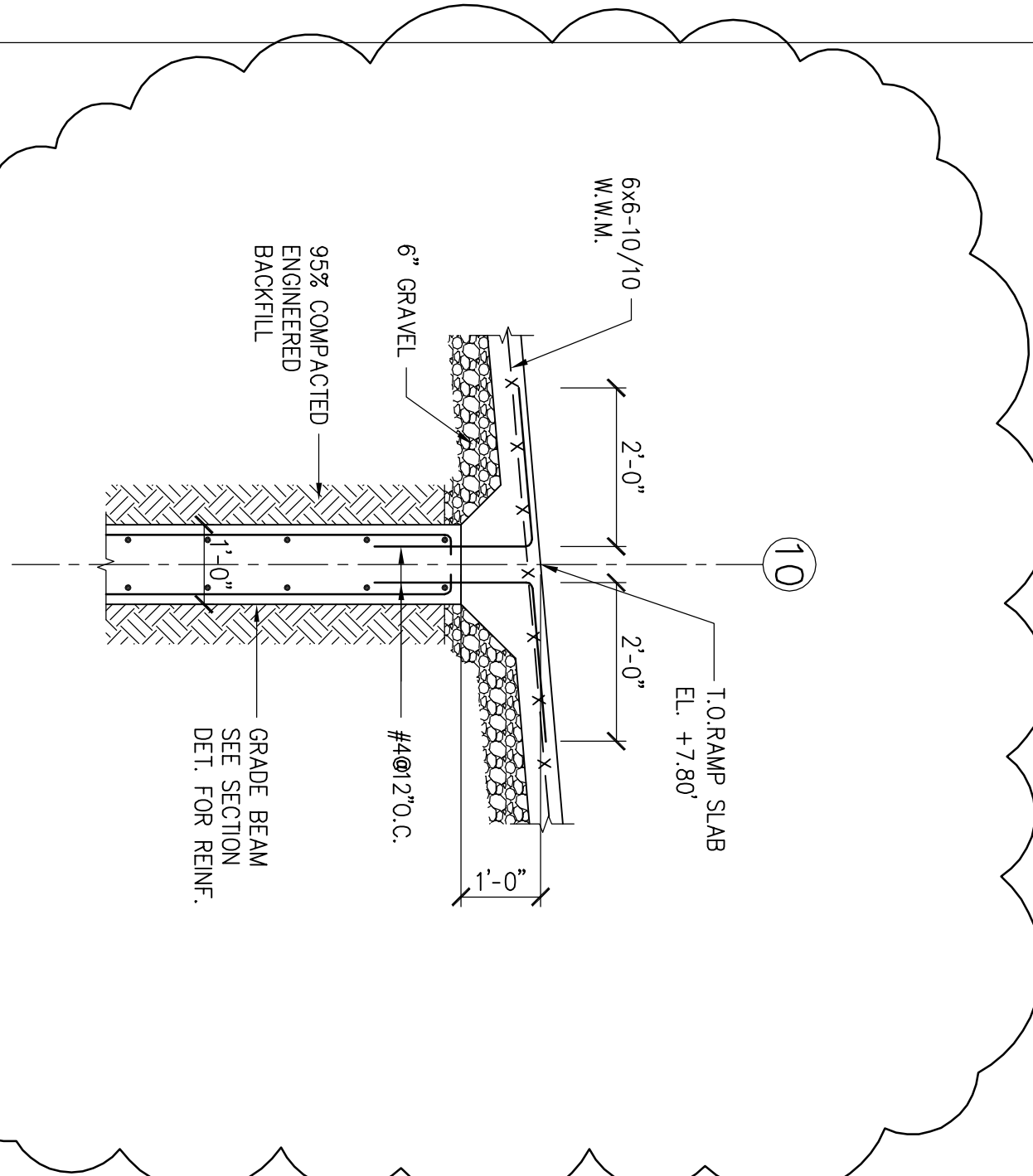
SECTION 26 (RF/FOLD FRAMING)  
3/4" = 1'-0"



SECTION 27  
1/2" = 1'-0"



SECTION 28  
1/2" = 1'-0"



SECTION 29  
1/2" = 1'-0"

No.	Date	Revision
07/21/2010		FOR FOUNDATION PERMIT
08/20/2010		FOR FOUNDATION BD
08/30/2010		RENSIED
10/14/2010		ISSUED
11/03/2010		ISSUED
12/10/2010		ISSUED
12/20/2010		ISSUED
03/23/2011		ISSUED

ADG&K  
axis design group international, llc.  
NY 212.288.7129  
744 Grand Street  
Newark, NJ 07102  
FA 609.242.2878  
AMER ISLM PE 624597200

Heritage Architecture, LLC  
Architecture Design Interiors  
352 Evelyn St., Suite 2  
Paramus, N.J. 07652  
Tel : (201) 262 3800  
Fax : (201) 262 3802

Project No: 1053  
Date: June 24, 2010  
Drawn By: 320 Palmy Terrace  
Toms River, NJ 08787 07888  
Checked By: DAR - UL ISLAM  
Scale: As Noted  
Date: \*\*  
Block: \*\*  
Project: HOUSE OF WORSHIP (MOSQUE)  
TWO STORY ADDITION  
Client: DAR - UL ISLAM  
Drawing title: SECTIONS III

Set: Admer Islam, PE  
NJ Lic # CE 4537200  
Drawing No: S-12  
© Heritage Architecture, LLC