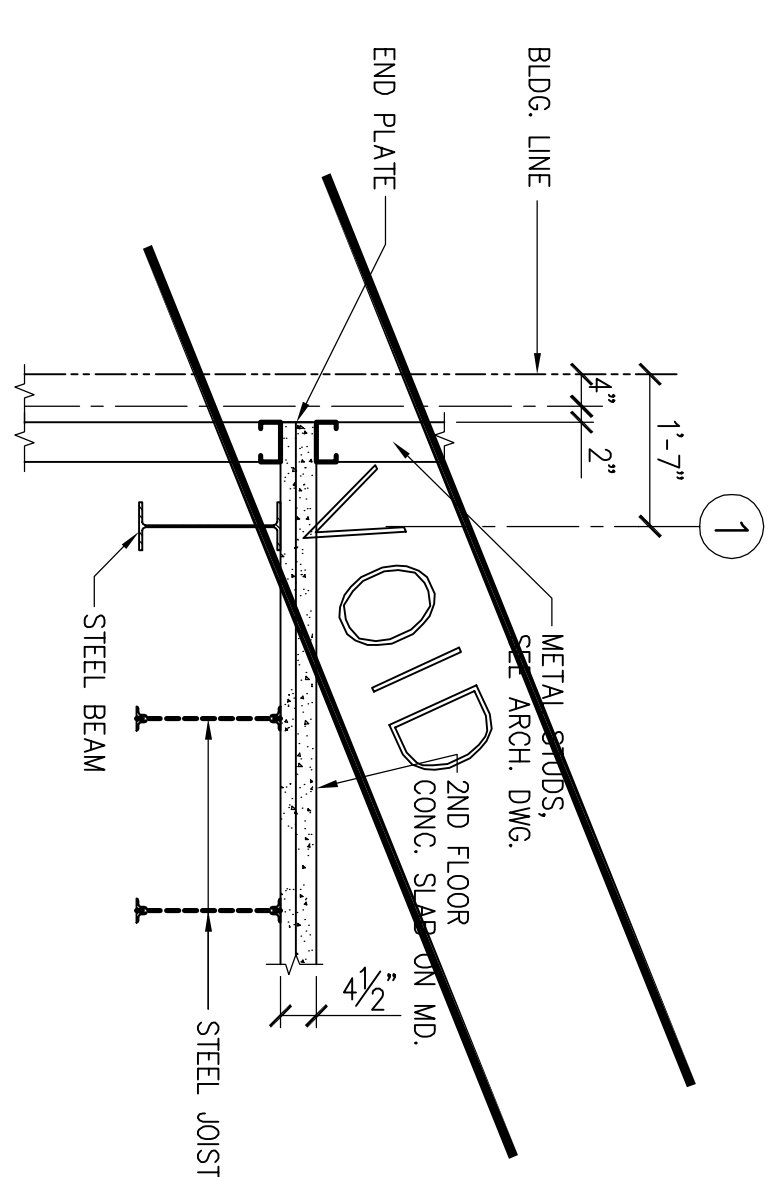
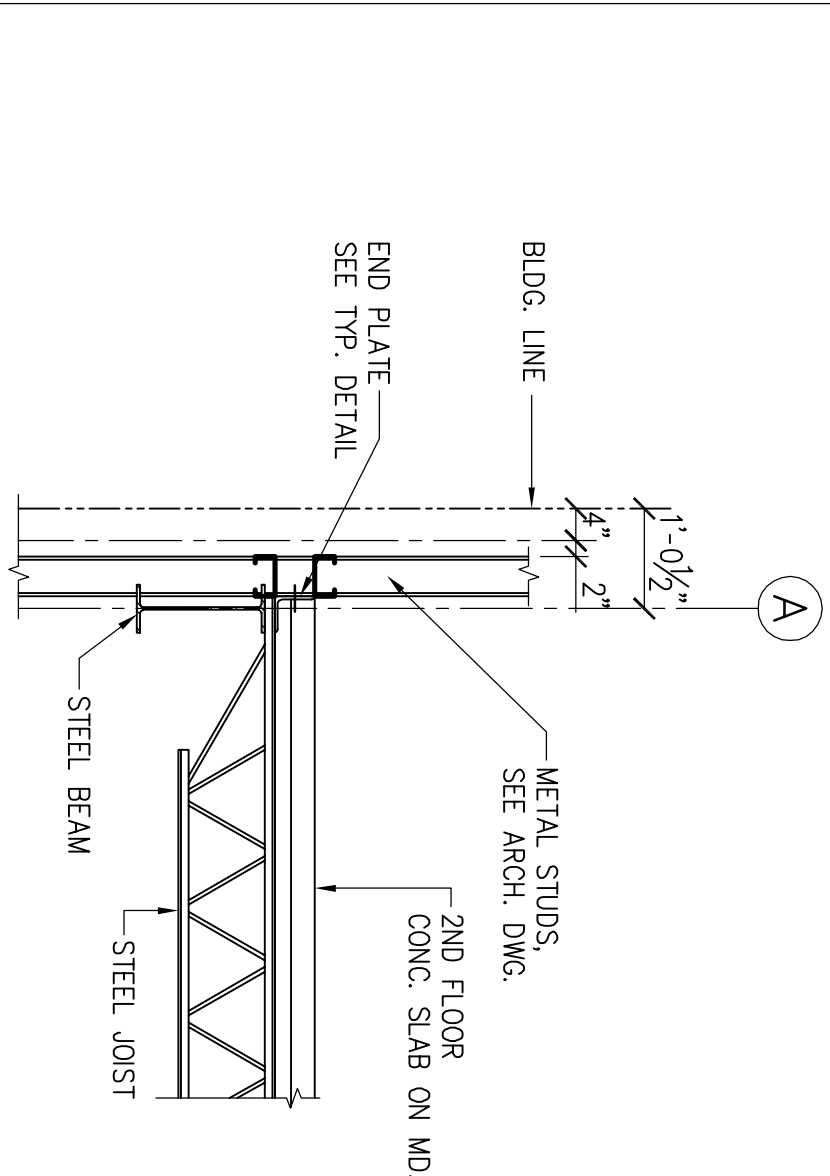


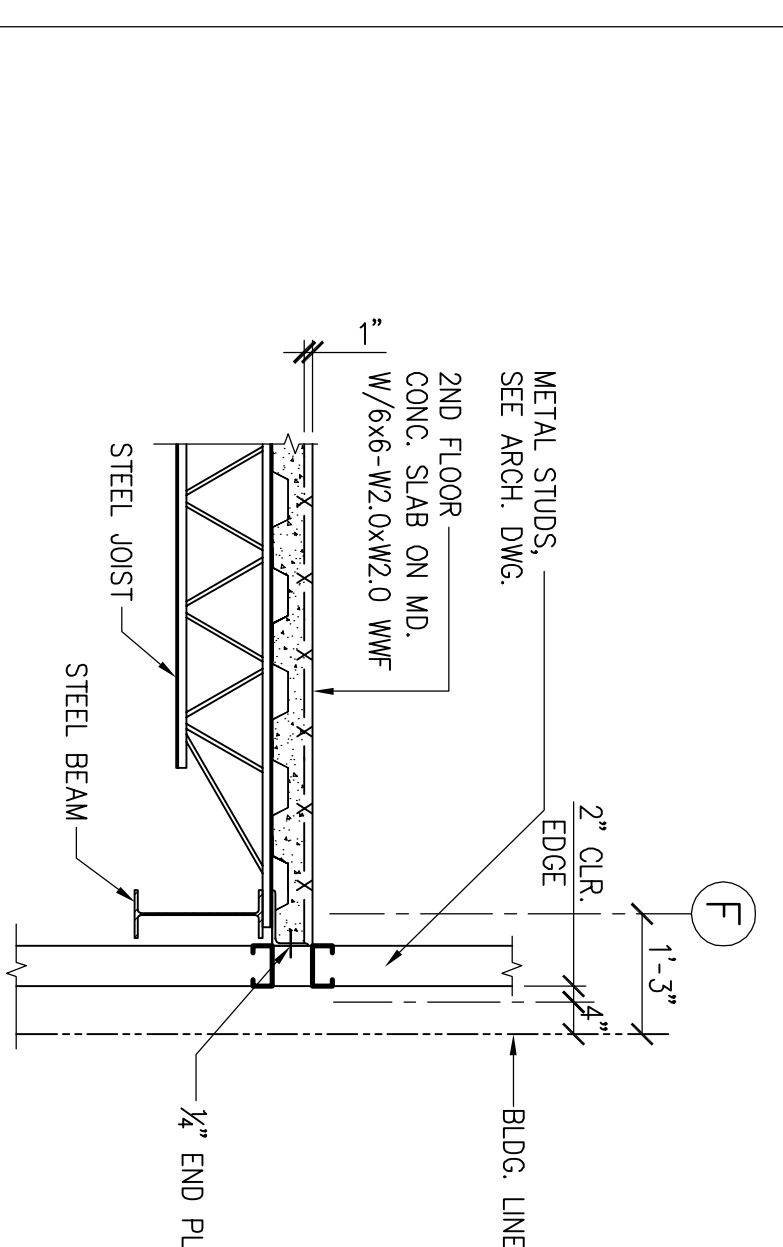
SECTION 12  
3/4" = 1'-0"



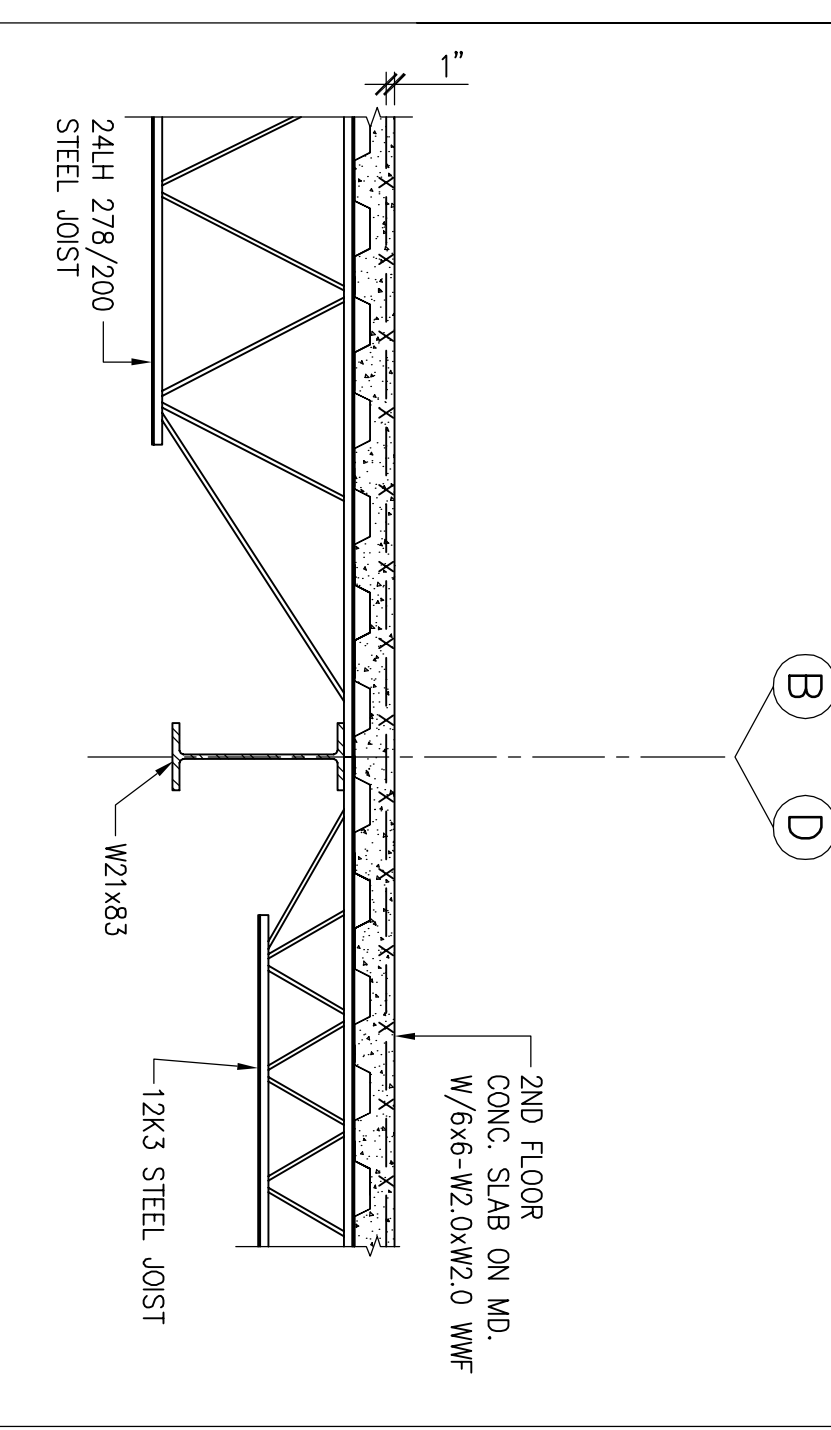
SECTION 13  
1/2" = 1'-0"



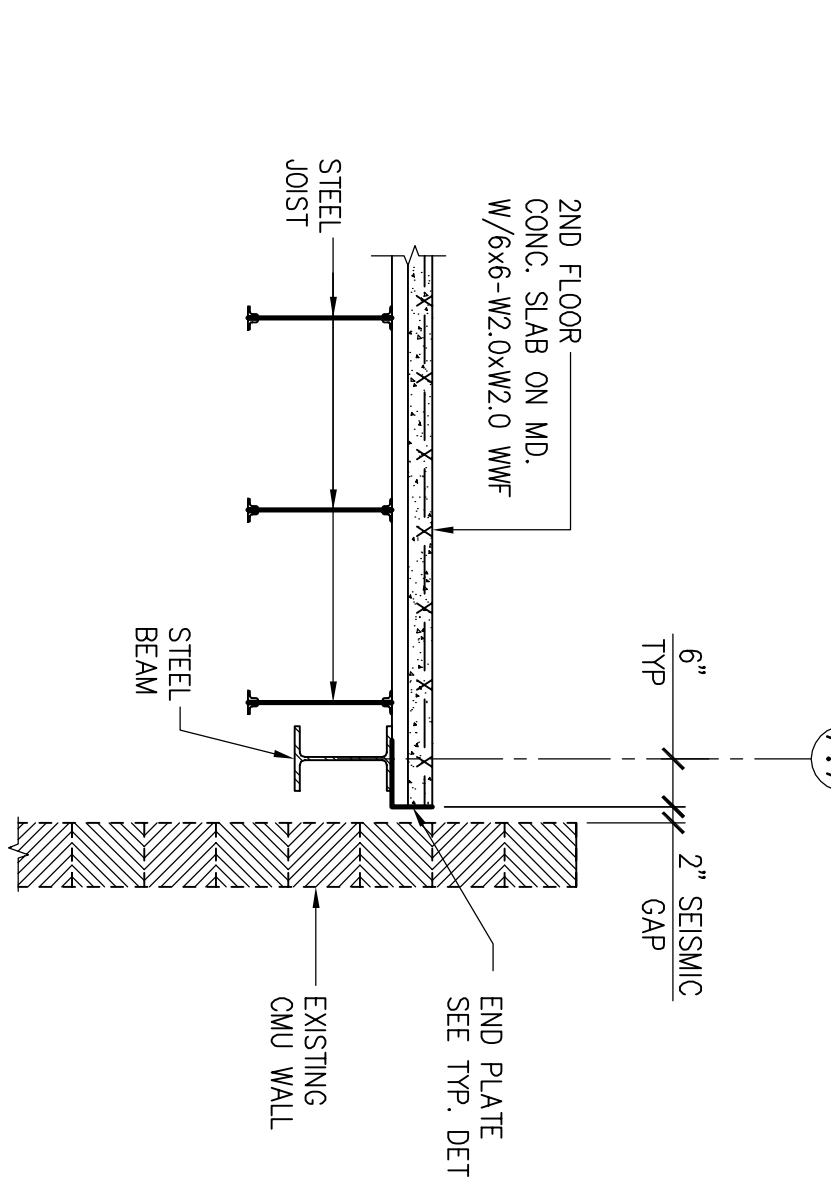
SECTION 14  
1/2" = 1'-0"



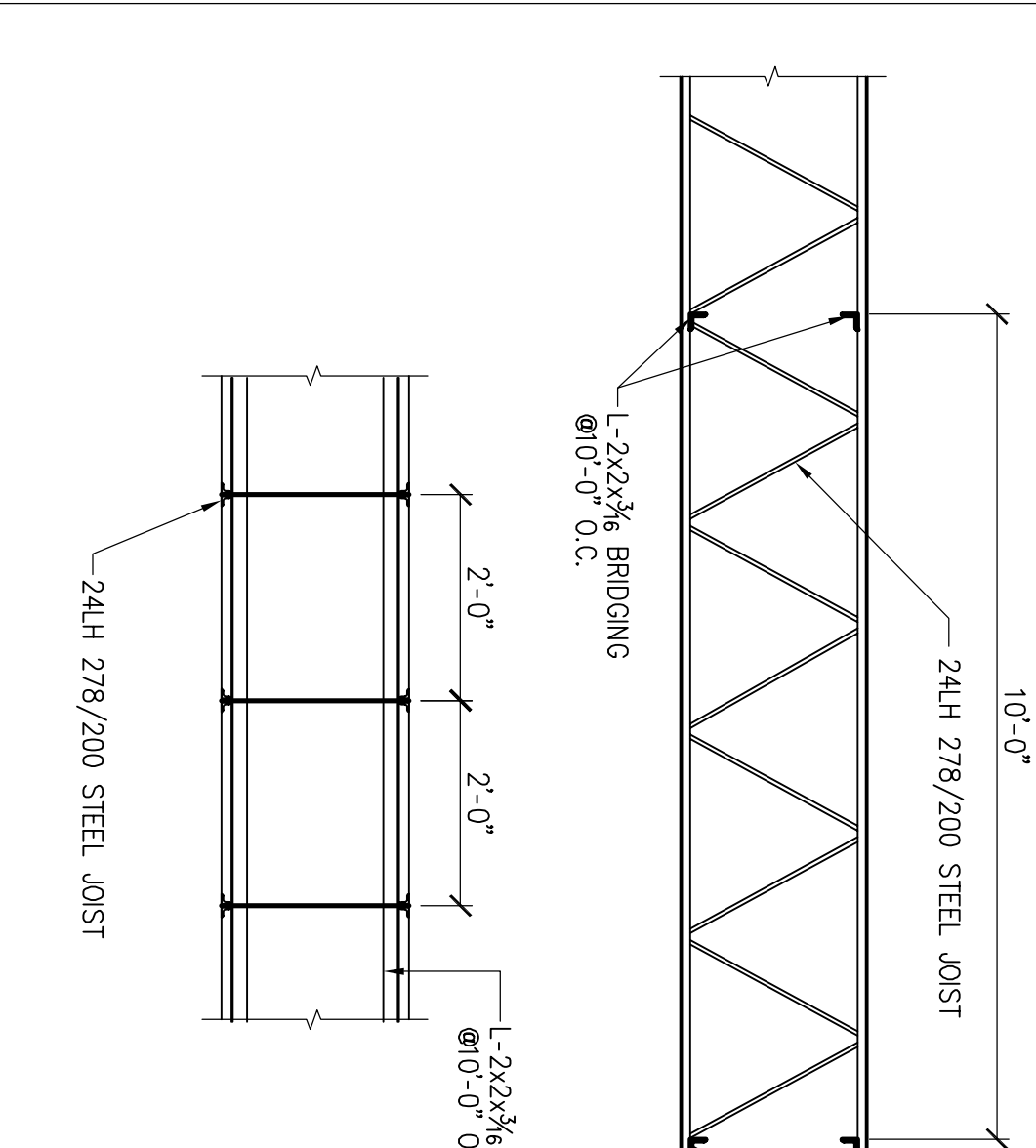
SECTION 15  
1/2" = 1'-0"



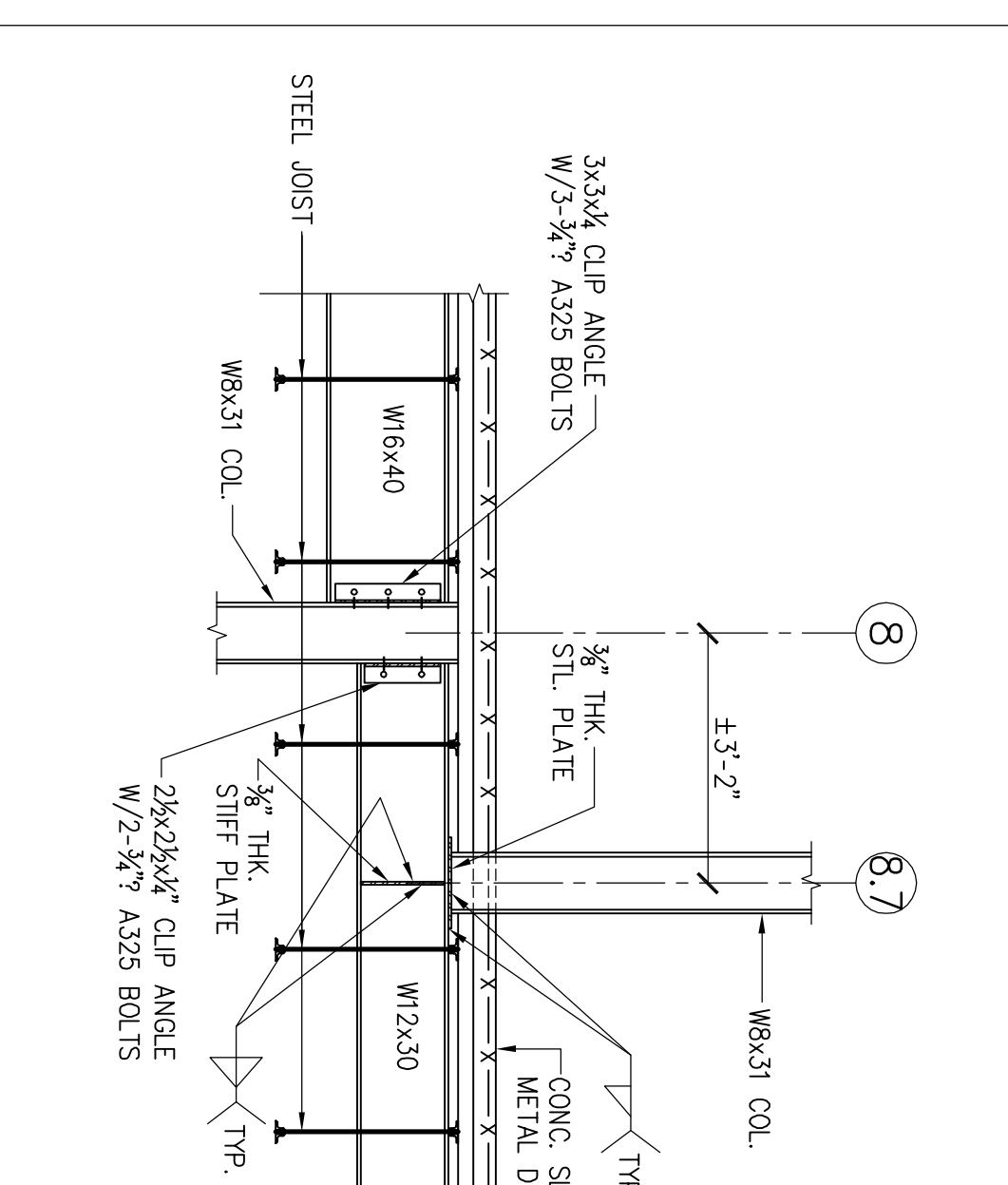
SECTION 16  
1/2" = 1'-0"



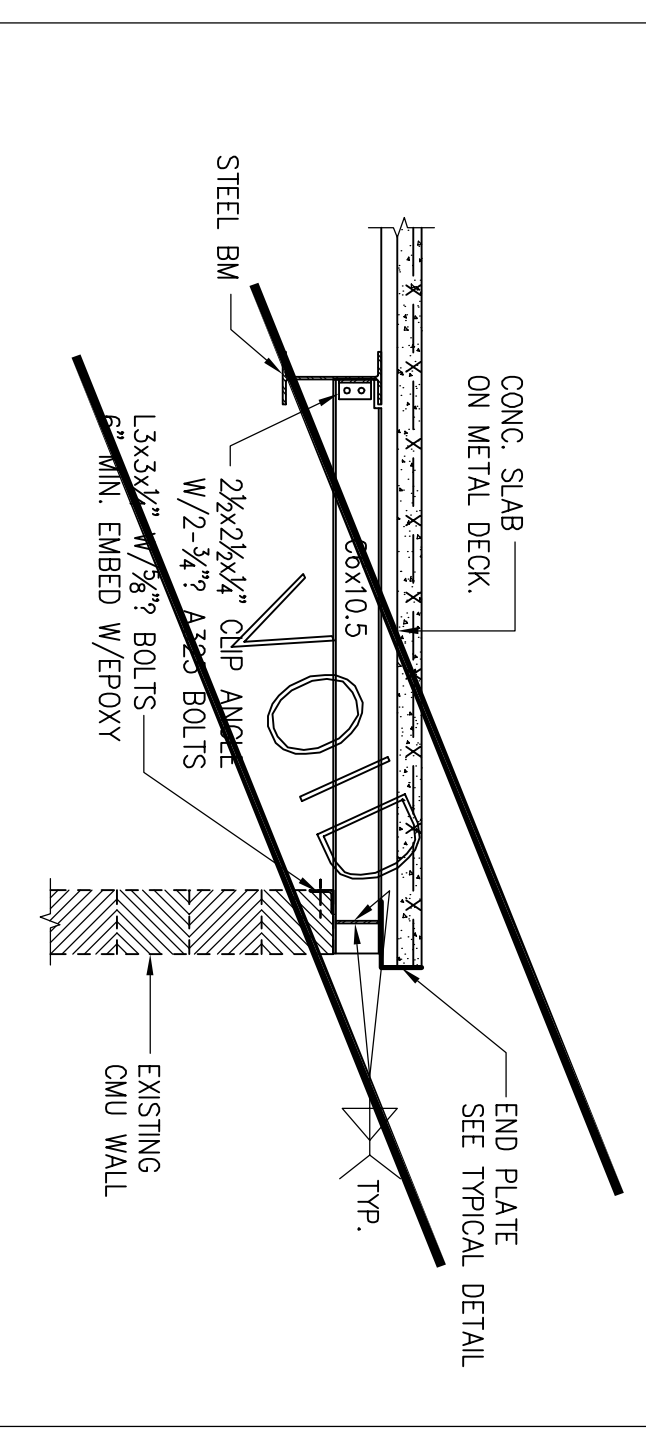
SECTION 17  
1/2" = 1'-0"



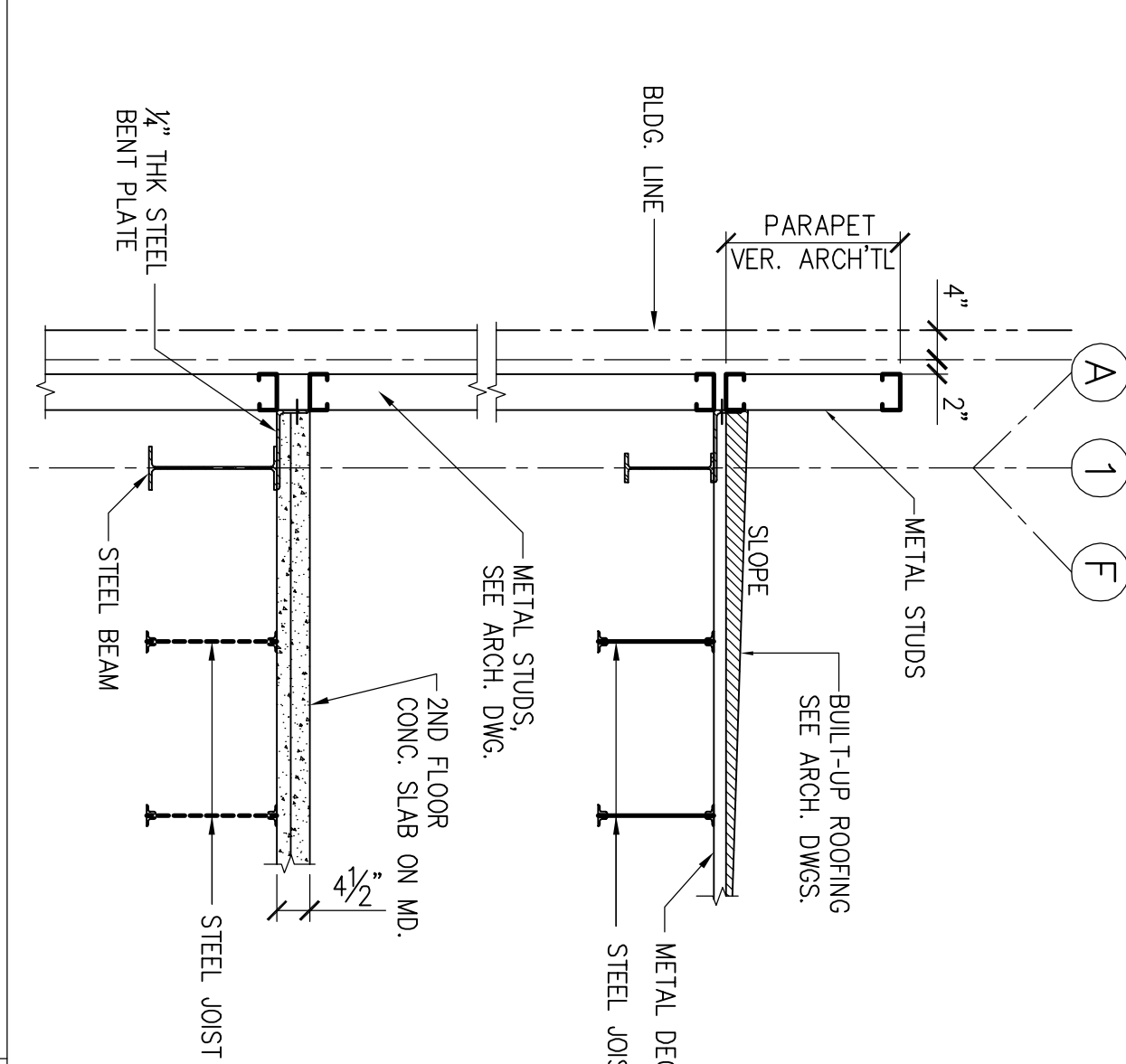
SECTION 18  
1/2" = 1'-0"



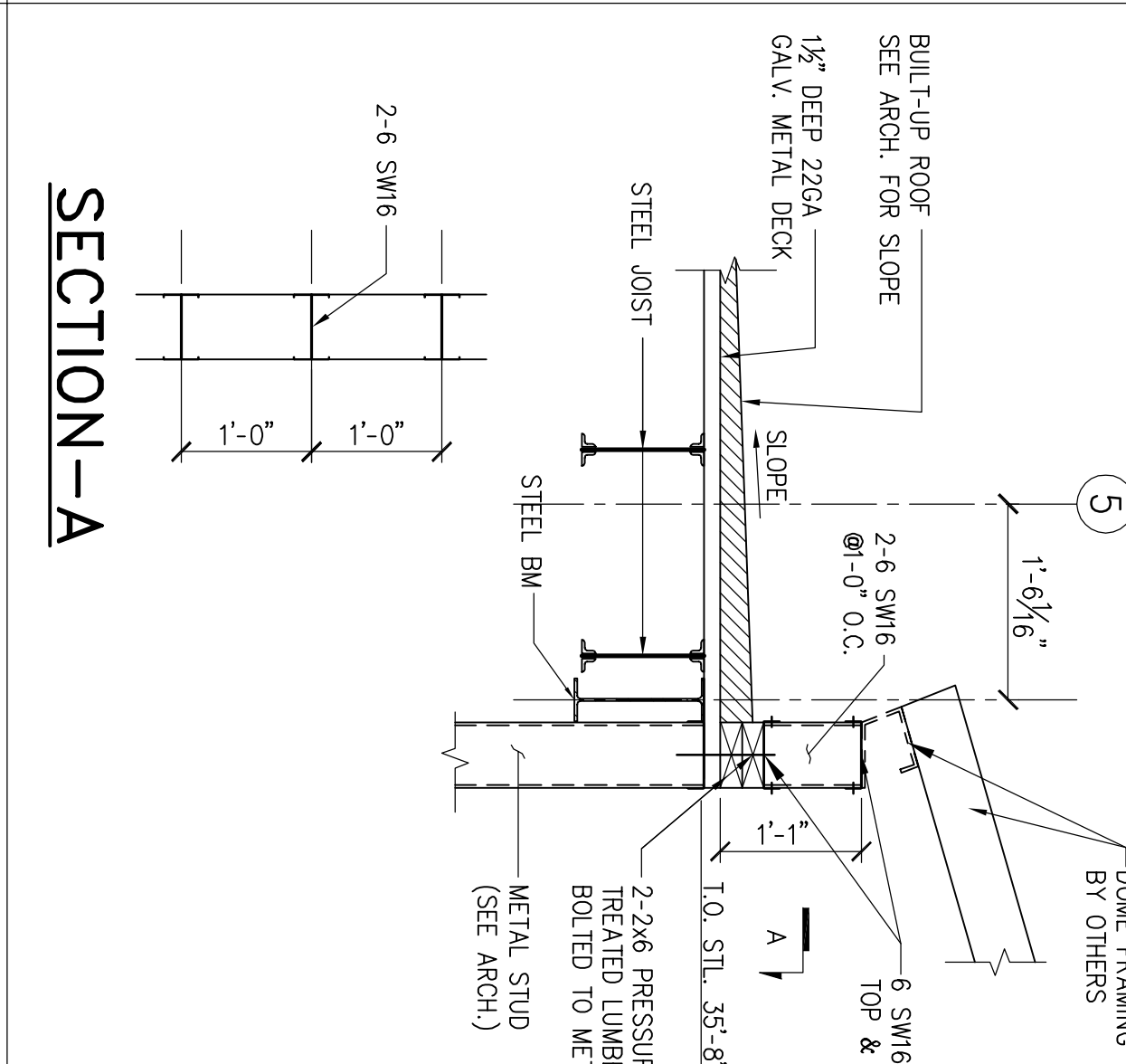
SECTION 19  
1/2" = 1'-0"



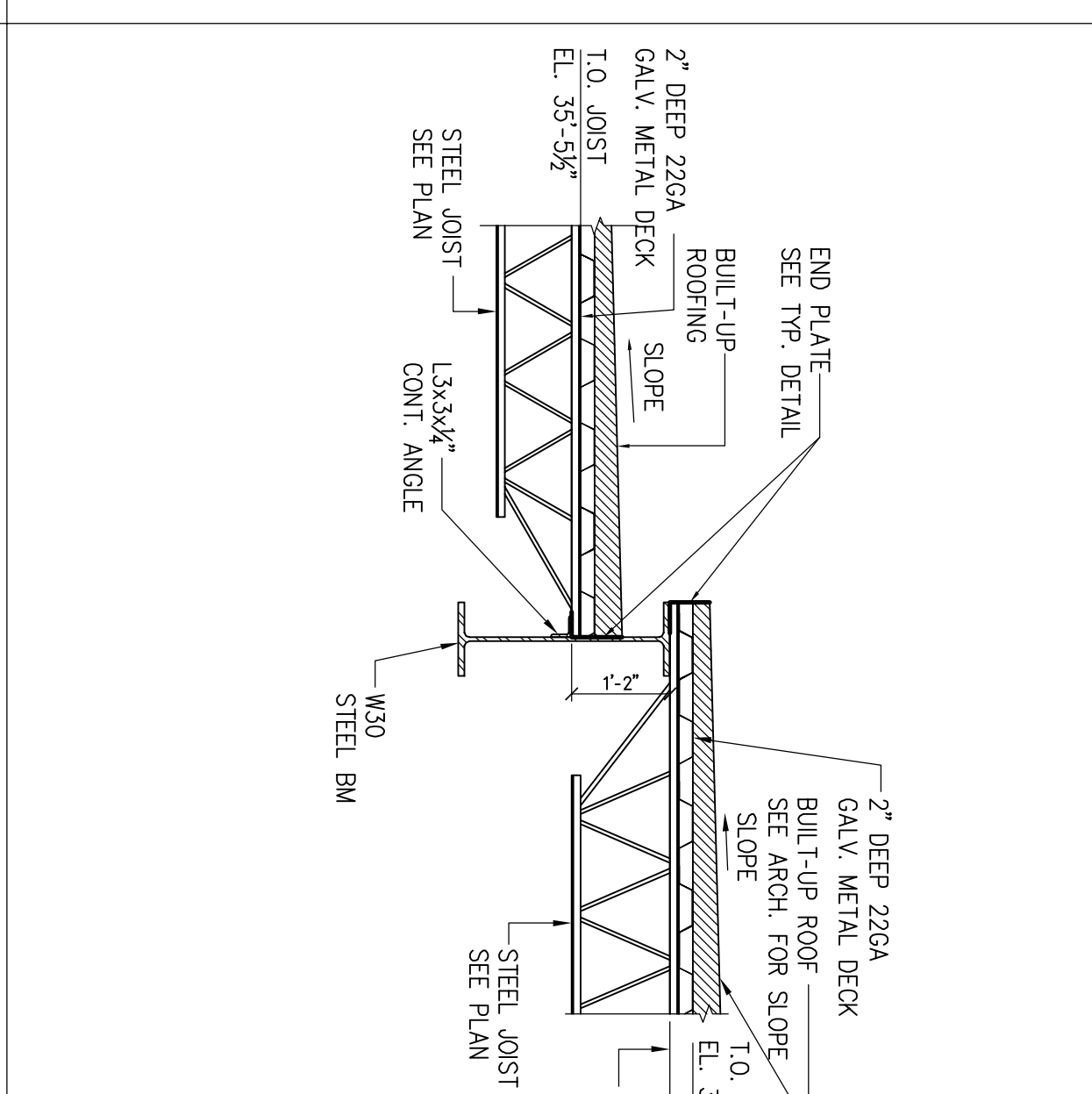
SECTION 20  
1/2" = 1'-0"



SECTION 21  
1/2" = 1'-0"

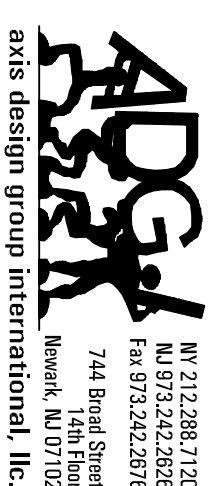


SECTION 22  
3/4" = 1'-0"

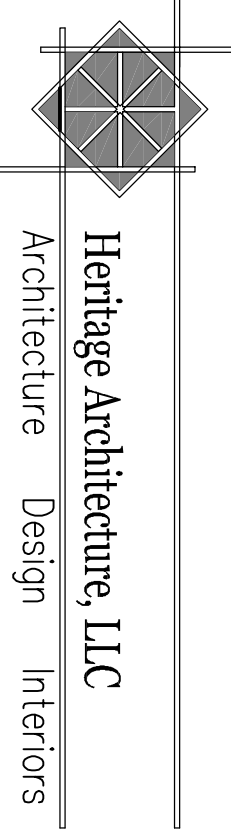


SECTION 23  
1/2" = 1'-0"

No.	Date	Revision
07/21/2010		FOR FOUNDATION PERMIT
08/20/2010		FOR FOUNDATION BD
09/30/2010		REVISED
10/14/2010		ISSUED
11/03/2010		ISSUED
12/10/2010		ISSUED
12/20/2010		ISSUED
03/08/2010		ISSUED



axis design group international, llc.



Heritage Architecture, LLC  
Architecture Design Interiors  
352 Evelyn St., Suite 2  
Perkasie, N.J. 07652  
Tel : (201) 292 3800  
Fax : (201) 292 3802

Project No: 10553  
Date: June 24, 2010  
Drawn By: 320 Palmy Terrace  
Tombau, NEW JERSEY 07088  
Checked By: Client: DAR - UL ISLAM  
Scale: As Noted  
Date: \*\*  
Block: \*\*

SECTIONS II