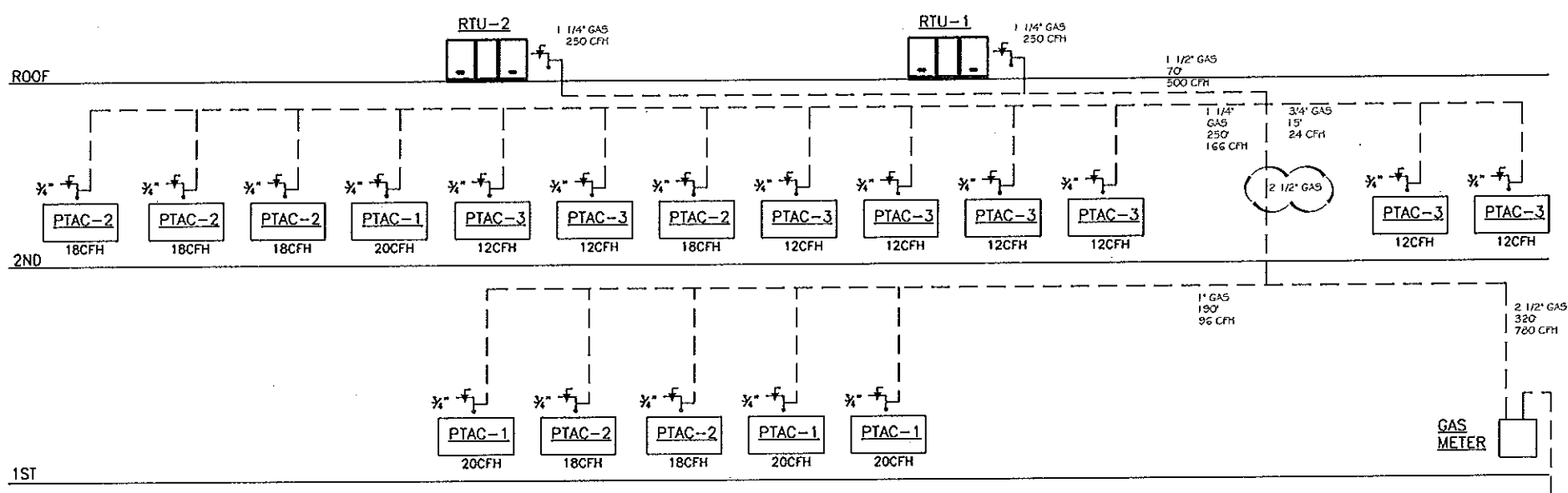
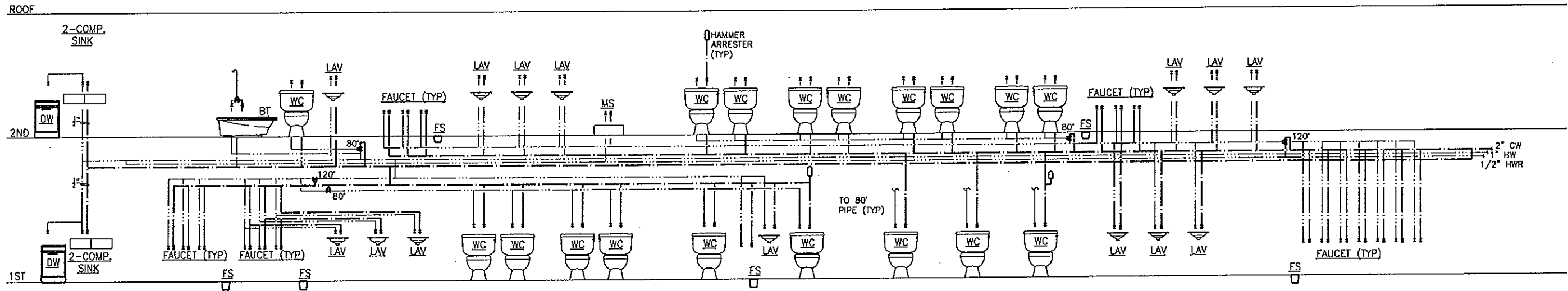
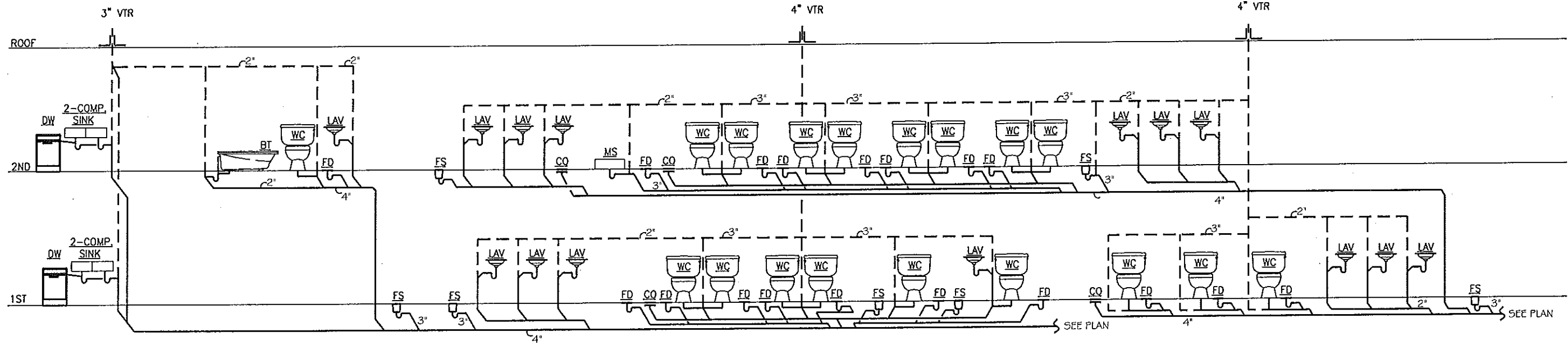



F:\Dwg\0-2009-JOBS\0919-Trk-Msq\CD\Sketch\CD-As Built\consultant\MEP\In\11211\TRANSMIT\Z105(12-08-11).dwg, 5/22/2012 9:15:19 AM



PLUMBING FIXTURE SIZING SCHEDULE							
NO	EQUIPMENT	CW	HW	GAS	WASTE	SANITARY	REMARKS
1	KITCHEN SINK	1/2"	1/2"	1 1/2"	-	1 1/2"	
2	RANGE	-	-	3/4"	-	-	
3	WATER HEATER	3/4"	3/4"	3/4"	-	1"	
4	PTAC	-	-	3/4"	-	-	
5	LAVATORY	1/2"	1/2"	1 1/2"	-	1 1/4"	
6	WC FLUSH VALVE	3/4"	-	-	-	3"	2"
7	WC FLUSH VALVE	1"	-	-	-	3"	2"
8	JANITORS WOP SINK	1/2"	1/2"	-	-	3"	3"
9	FLOOR DRAIN	-	-	-	-	3"	-

No.	Date	Revision
1	March 02, 2011	ADD GAS FREE SEE
2	1-12-11	DWG. UPDATES


Heritage Architecture, LLC
 Architecture Design Interiors
 352 Evelyn St., Suite 2
 Paramus, N.Y. 07652
 Tel : (201) 262 3800
 Fax : (201) 262 3802

Project No: 0919
 Date: December, 02, 2010
 Drawn By: YA
 Checked By: NA
 Scale: As Noted
 Lot: "
 Block: "
 Project: **DAR-UL ISLAM HOUSE OF WORSHIP (MOSQUE)**
 303 Faby Terrace
 Teaneck, NEW JERSEY 07638
 Drawing No: **PLUMBING RISER DIAGRAMS**
 Sheet: **P-7**
 Designer: Nassir Ahmad, RA
 NJ Lic. # 16036
 © Heritage Architecture, LLC