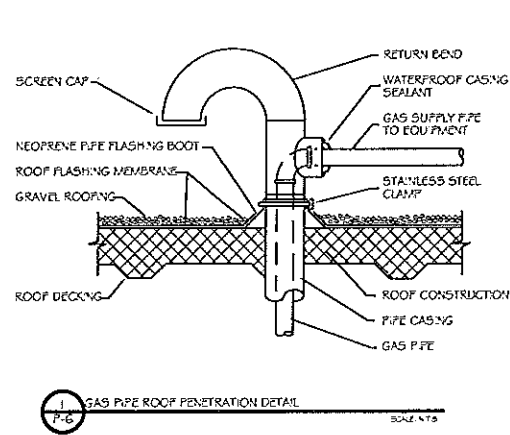
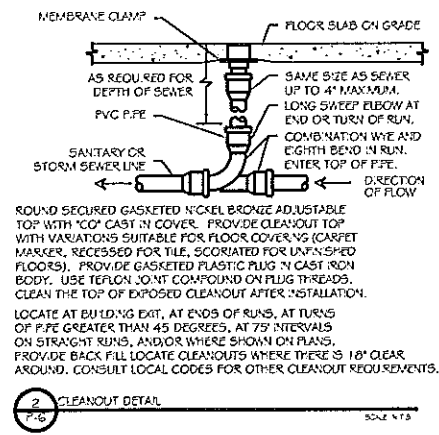


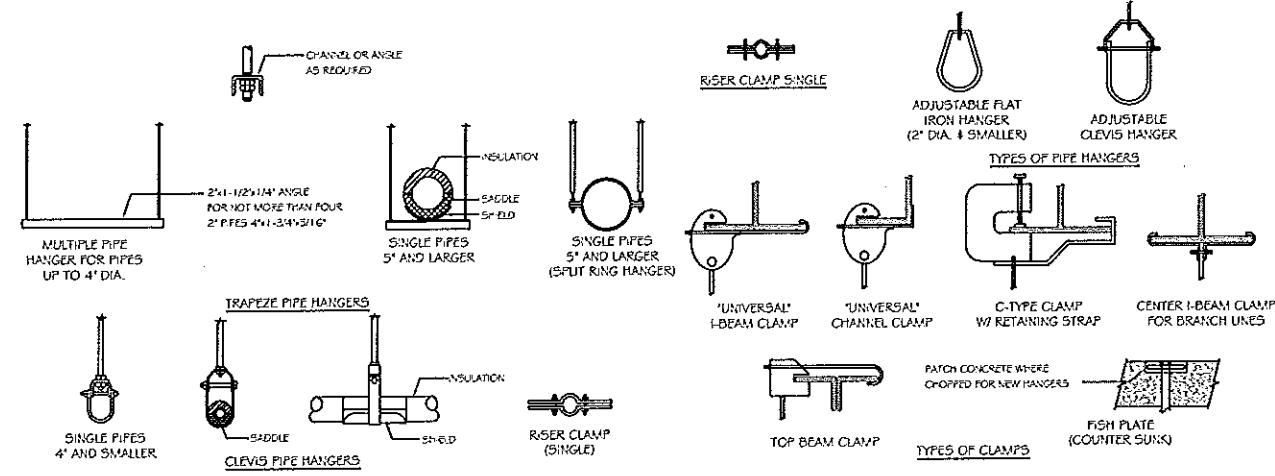
F:\Dwg\0-2009-JOBS\0919-Trk-Msq\CD\Sketch\MEP\In\111211\ETRANSMIT\Z105I(12-08-11).dwg, 5/22/2012 9:15:08 AM



1 GAS PIPE ROOF PENETRATION DETAIL SCALE: 1/8" = 1'-0"

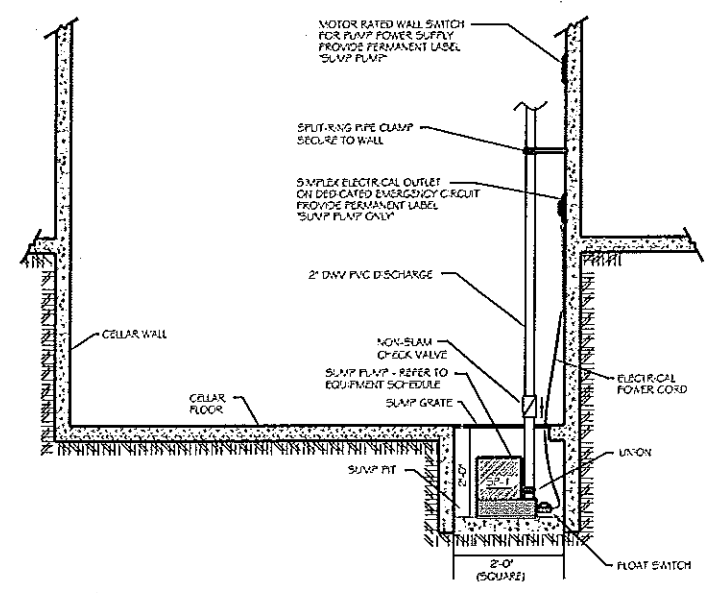


2 CLEANOUT DETAIL SCALE: 1/8" = 1'-0"

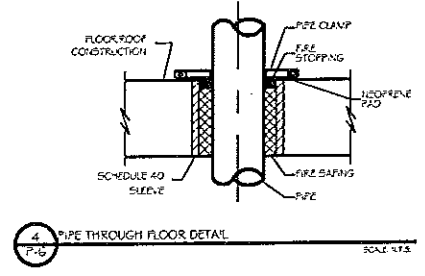


3 PIPE HANGING DETAIL SCALE: 1/8" = 1'-0"

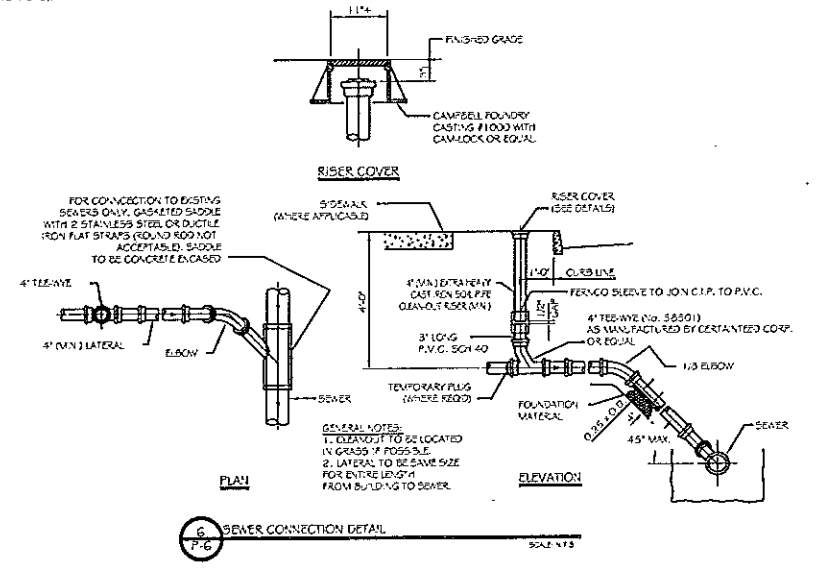
NOTE: ATTACH HANGERS AND SUPPORT TO BUILDING STRUCTURE USING APPROVED METHOD OF SUPPORT (SEE SPECIFICATIONS).



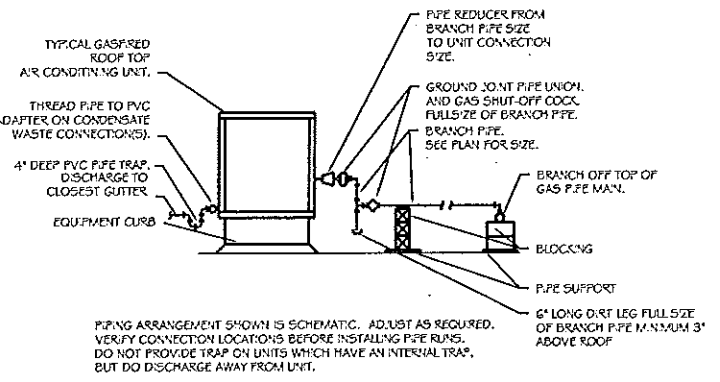
4 SUMP PUMP & PIT DETAIL SCALE: 1/8" = 1'-0"



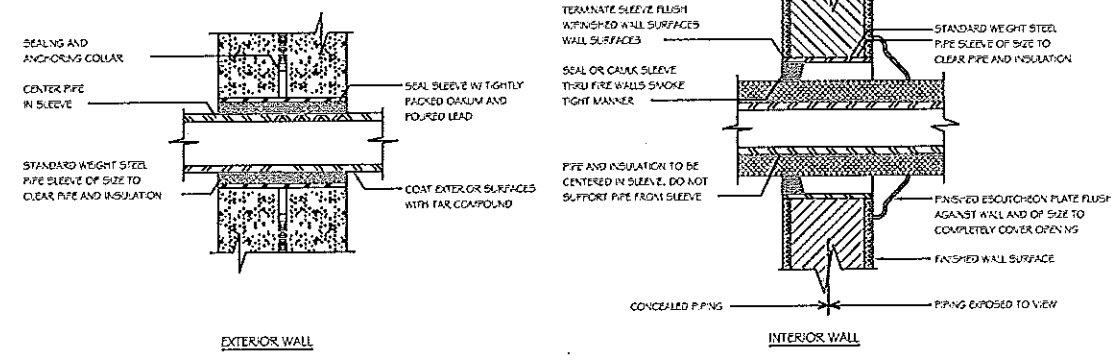
5 PIPE THROUGH FLOOR DETAIL SCALE: 1/8" = 1'-0"



6 SEWER CONNECTION DETAIL SCALE: 1/8" = 1'-0"



7 RTU CONNECTION DETAIL SCALE: 1/8" = 1'-0"



8 PIPE THROUGH WALL DETAIL SCALE: 1/8" = 1'-0"

No.	Date	Revised

**Heritage Architecture, LLC**  
 Architecture Design Interiors  
 352 Maple St., Suite 2  
 Paramus, N.J. 07652  
 Tel : (201) 262 3800  
 Fax : (201) 262 3802

Project No:	0919	Project:	DAR-UL ISLAM HOUSE OF WORSHIP (MOSQUE)
Date:	December, 02, 2010	Drawn By:	YA
Checked By:	NA	Client:	
Scale:	As Noted	Drawing No.:	PLUMBING DETAILS
Lot:		Sheet:	P-6
Block:		Author:	Nasir Ahmad, RA NJ Lic # 16038

© Heritage Architecture, LLC