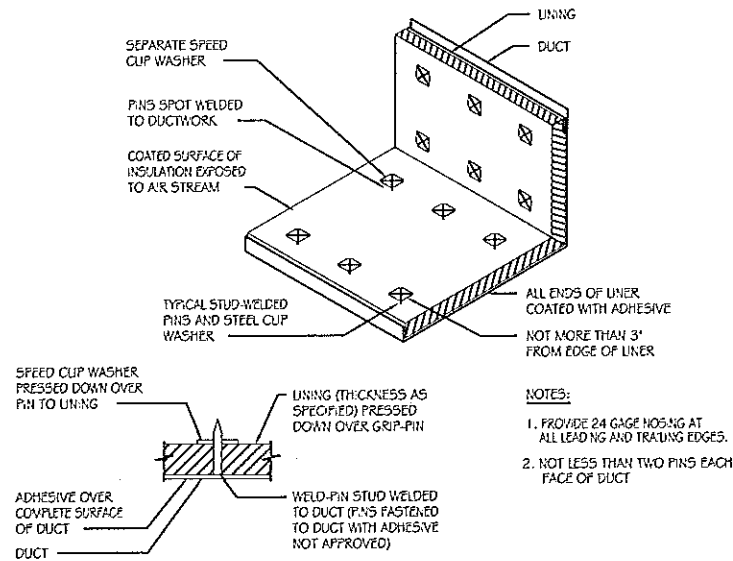
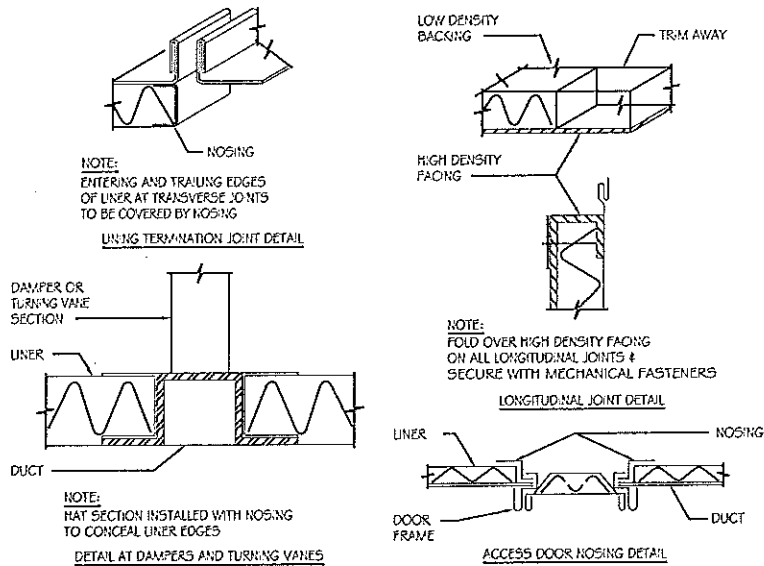


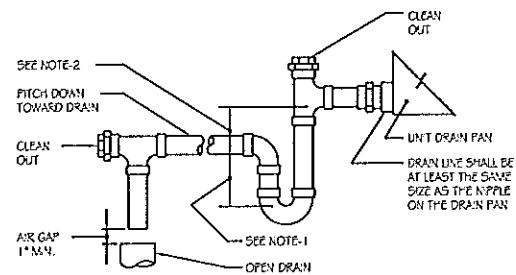
F:\Dwg\0-2009-JOB\0919-Tnk-Msq\CD\Sketch\CD-As Built\consultant\MEP\In\111211\TRANSMIT\Z105\12-08-11.dwg, 5/22/2012 9:13:46 AM



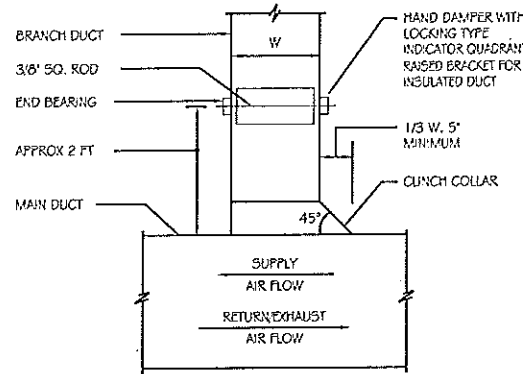
SOUND LINING INSTALLATION DETAIL



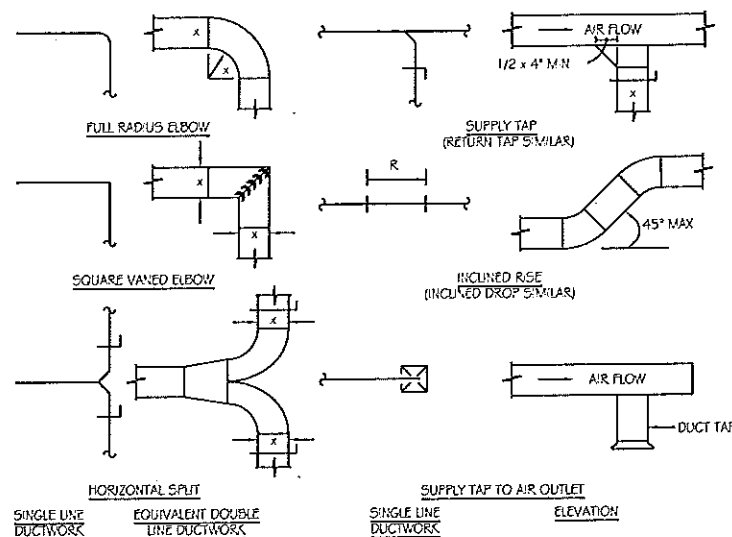
SOUND LINING NOSING DETAIL



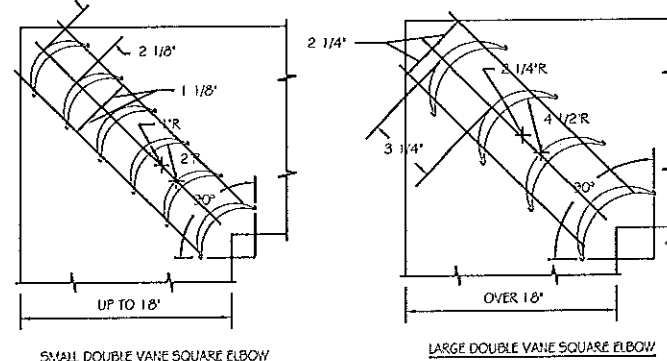
TYPICAL CONDENSATE DRAIN TRAP



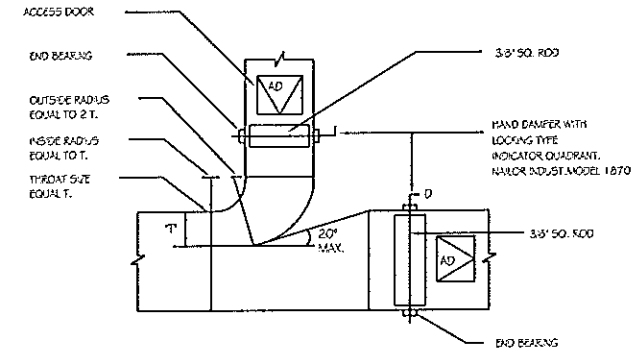
RECTANGULAR DUCT WITH VOLUME DAMPER



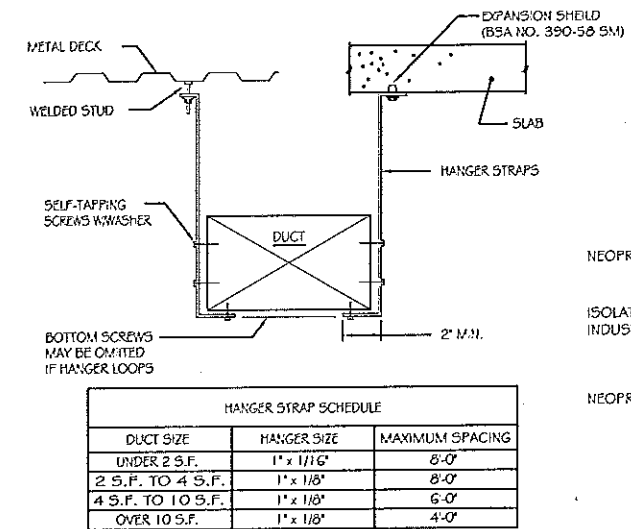
TYPICAL SUPPLY OR EXHAUST DUCT CONNECTION



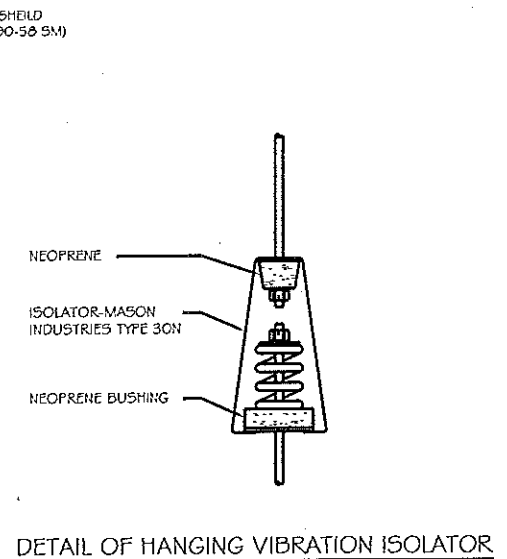
STANDARD DOUBLE VANED ELBOWS



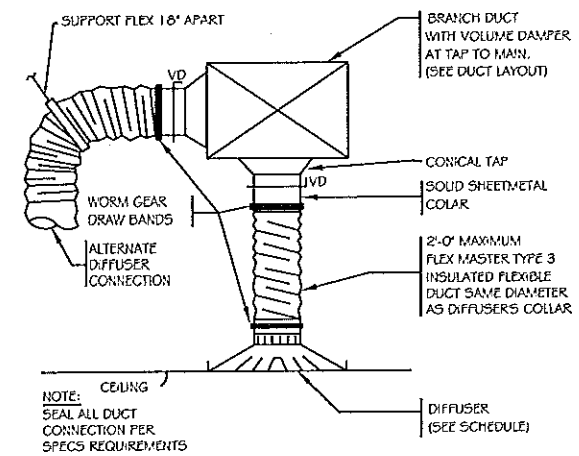
RECTANGULAR SUPPLY DUCT BRANCH THROAT CONNECTION



DUCT HANGING DETAIL



DETAIL OF HANGING VIBRATION ISOLATOR



DETAIL OF LOW PRESSURE DUCT CONNECTION TO CEILING DIFFUSER

No.	Date	Revision

Heritage Architecture, LLC
 Architecture Design Interiors
 352 Europa St., Suite 2
 Paramus, N.Y. 07652
 Tel : (201) 261 3000
 Fax : (201) 261 3002

Project No:	0919	Project:	DAR-UL ISLAH HOUSE OF WORSHIP (MOSQUE)
Date:	December, 02, 2010	Drawn By:	YA
Checked By:	NA	Scale:	As Noted
Block:		Drawing title:	HVAC DETAILS

Sheet: Nassir Almadhat, RA N.L.C. # 16036
 Drawing No: **M-6**
 © Heritage Architecture, LLC